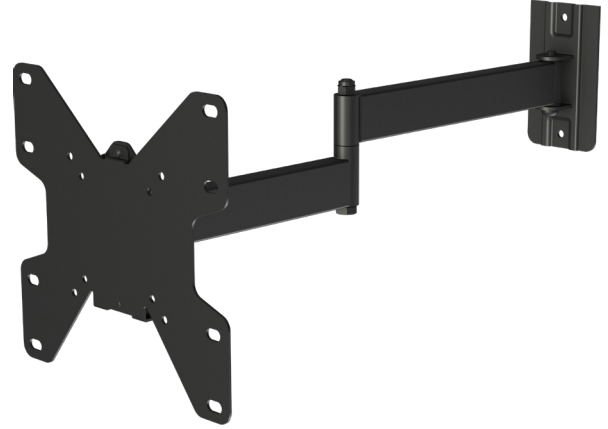


A41M Full Motion Articulating Wall Mount

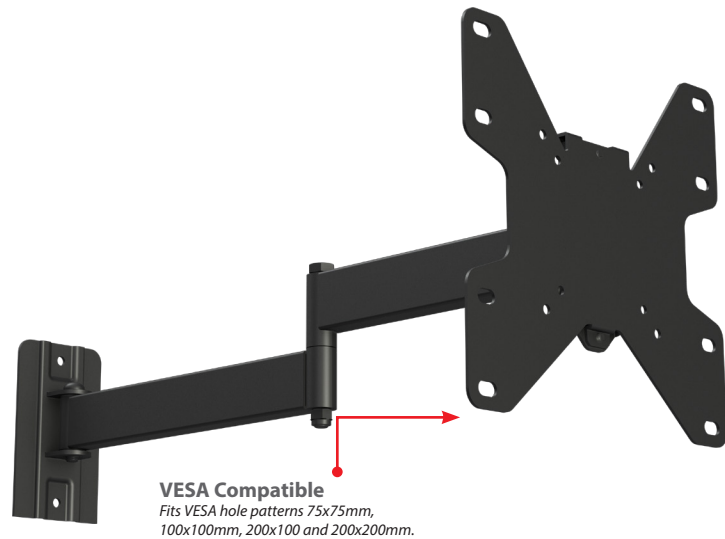
For 13-49" Displays

Best In Class Articulating Wall Mount Solution

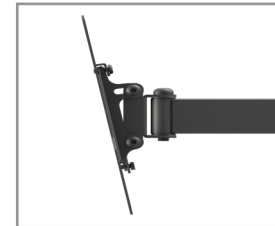
- Constructed from High Grade Cold Rolled Steel
- VESA compatible 75x75mm, 100x100mm, 200x100mm, 200x200mm
- Optional AD400 extends compatibility up to 400x400mm
- Multiple attachment points for different mounting surfaces offers additional safety
- +/- 3° of roll
- Smooth variable tilt from 10° forward to 2° back
- ADA Compliant for displays with depth of 2" or less



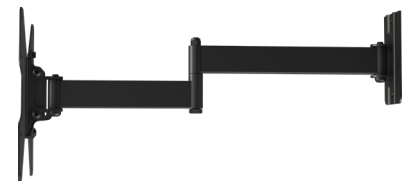
Model	Display Size	Max VESA	Total Load
A41M	13" - 49"	200 x200mm	30lb



VESA Compatible
Fits VESA hole patterns 75x75mm,
100x100mm, 200x100 and 200x200mm.



Tilt
Pre-tensioned tilt mechanism allows 10° forward and 2° backward tilt for optimal viewing angles.

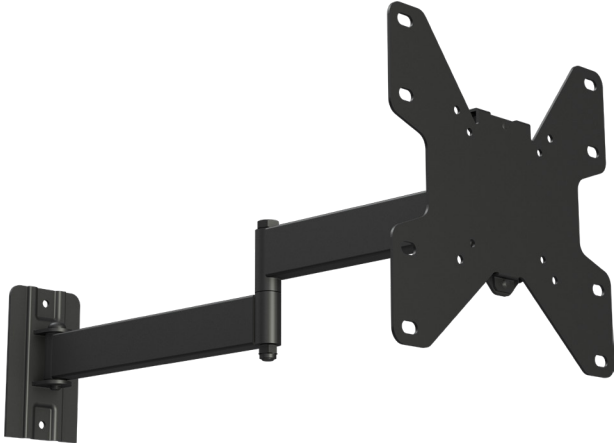


Full Range of Motion
1 point joints for variable viewing angles.

A41M Full Motion Articulating Wall Mount

For 13-49" displays

1-866-MOUNT-TV
www.crimsonav.com

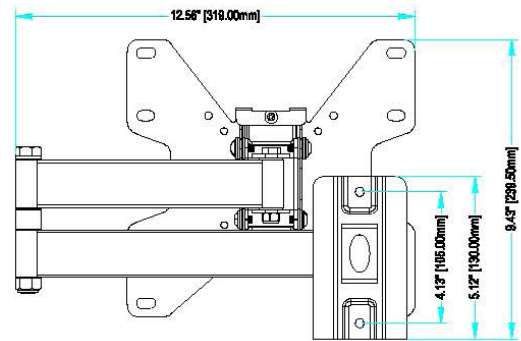
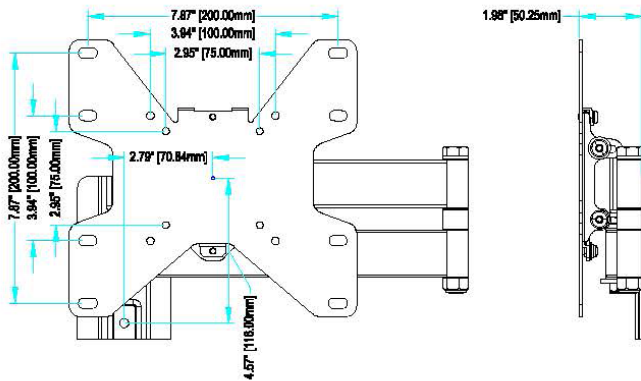
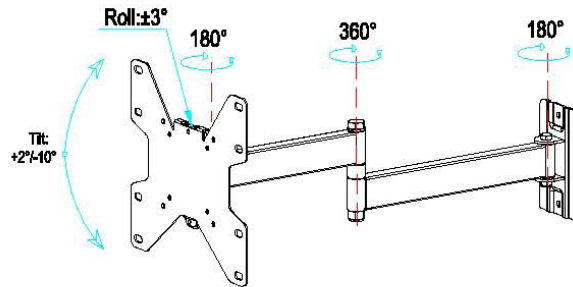
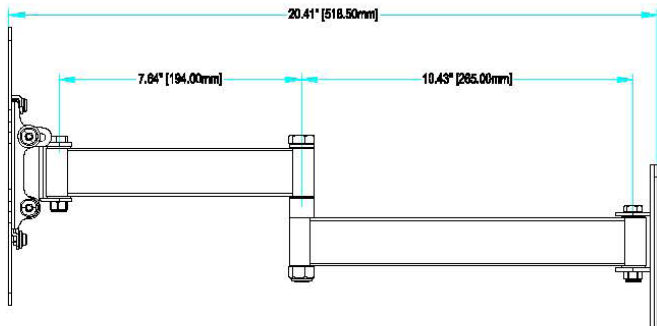


Full motion articulating wall mount for 13"- 49" displays. Single arm holds display 2" from wall when retracted and 20.4" when fully extended. Smooth tilt adjustments of +10° (forward) -2° (back) and 3° of side-to-side roll facilitates a variety of viewing angles and perfect positioning. Two attachment points for wood studs and concrete walls provide additional security. Optional cable management for clean look.

Attribute	Value
Display size	13" - 49"
Weight capacity	30lb (13.6kg)
Max mounting pattern	200x200mm
Pivot	180°
Tilt	+10°/-2°
Depth from wall	2" (50.8 mm)
Max extension	20.4" (518.16mm)
Construction	High-grade cold rolled steel
Product weight	7.0lb (3.2kg)
Product finish	Scratch resistant epoxy powder coat
Color	Black
Model number	A41M
Warranty	Limited lifetime

1 2 3 4 5 6 7 8

Maximum load rating: 30 lbs



D
C
B
A