

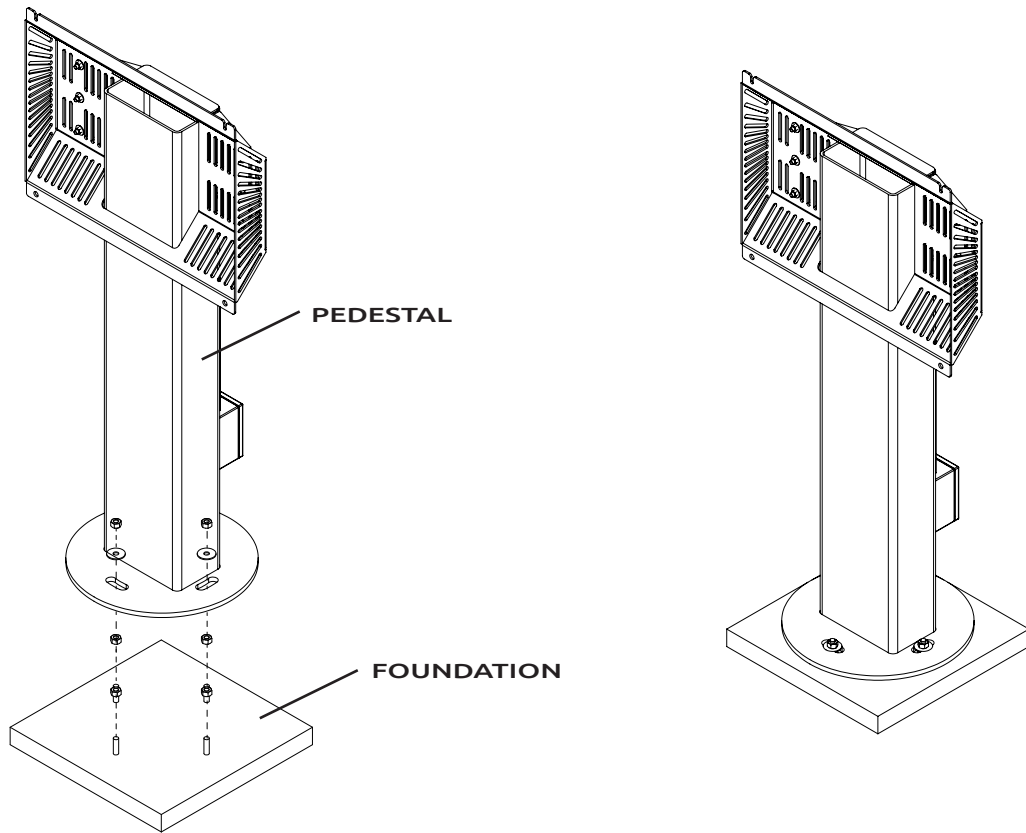


55" SINGLE DIGITAL MENU BOARD
W/ OPTIONAL SPEAKER/MIC BOX



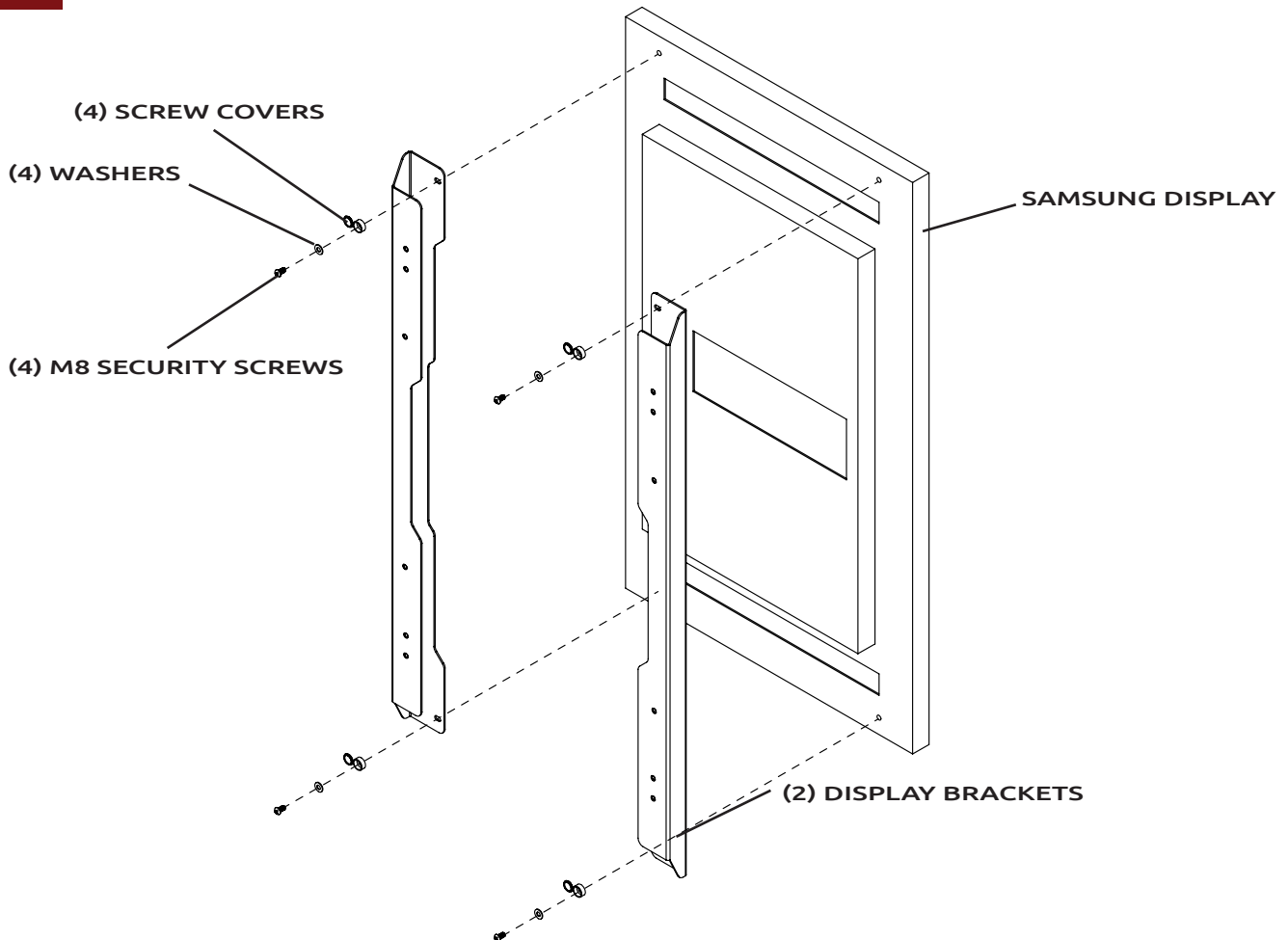
1

ATTACH PEDESTAL TO FOUNDATION AS SHOWN BELOW



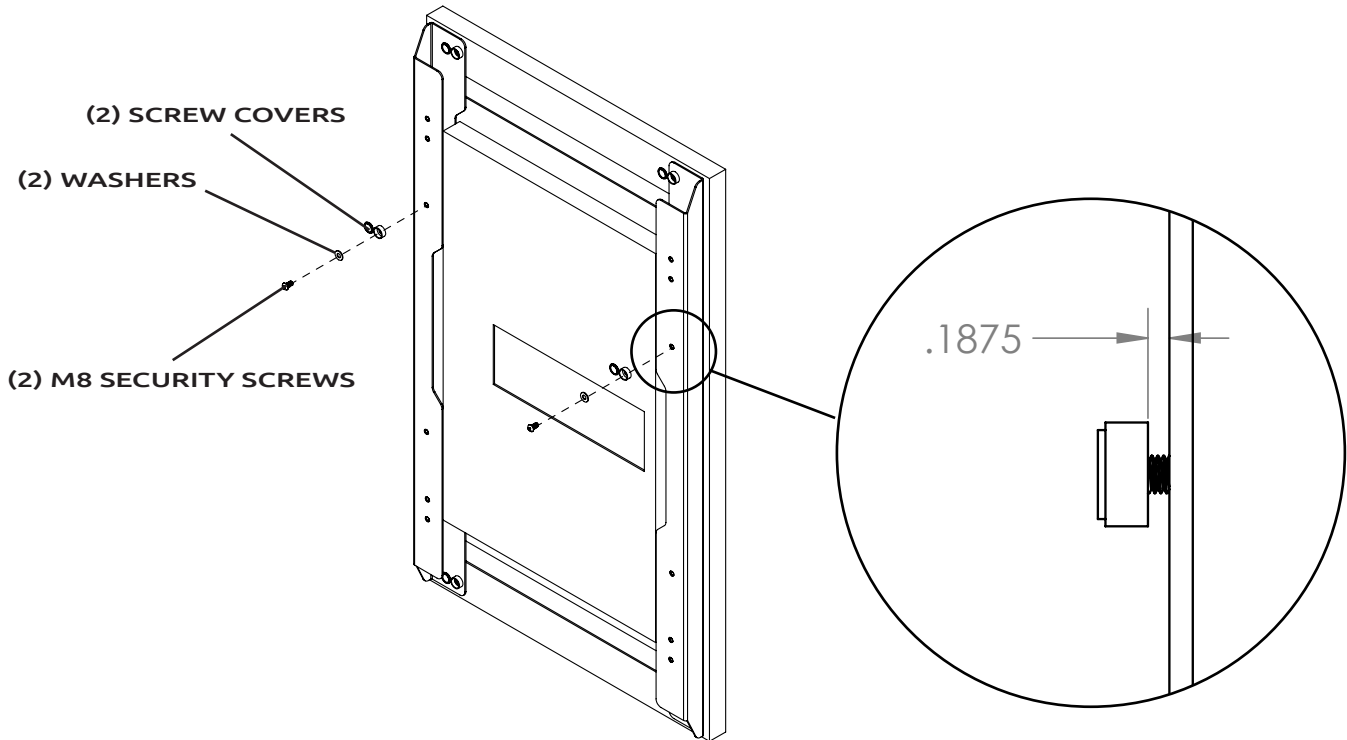
2

ATTACH BOTH DISPLAY BRACKETS TO DISPLAY USING HARDWARE SHOWN.



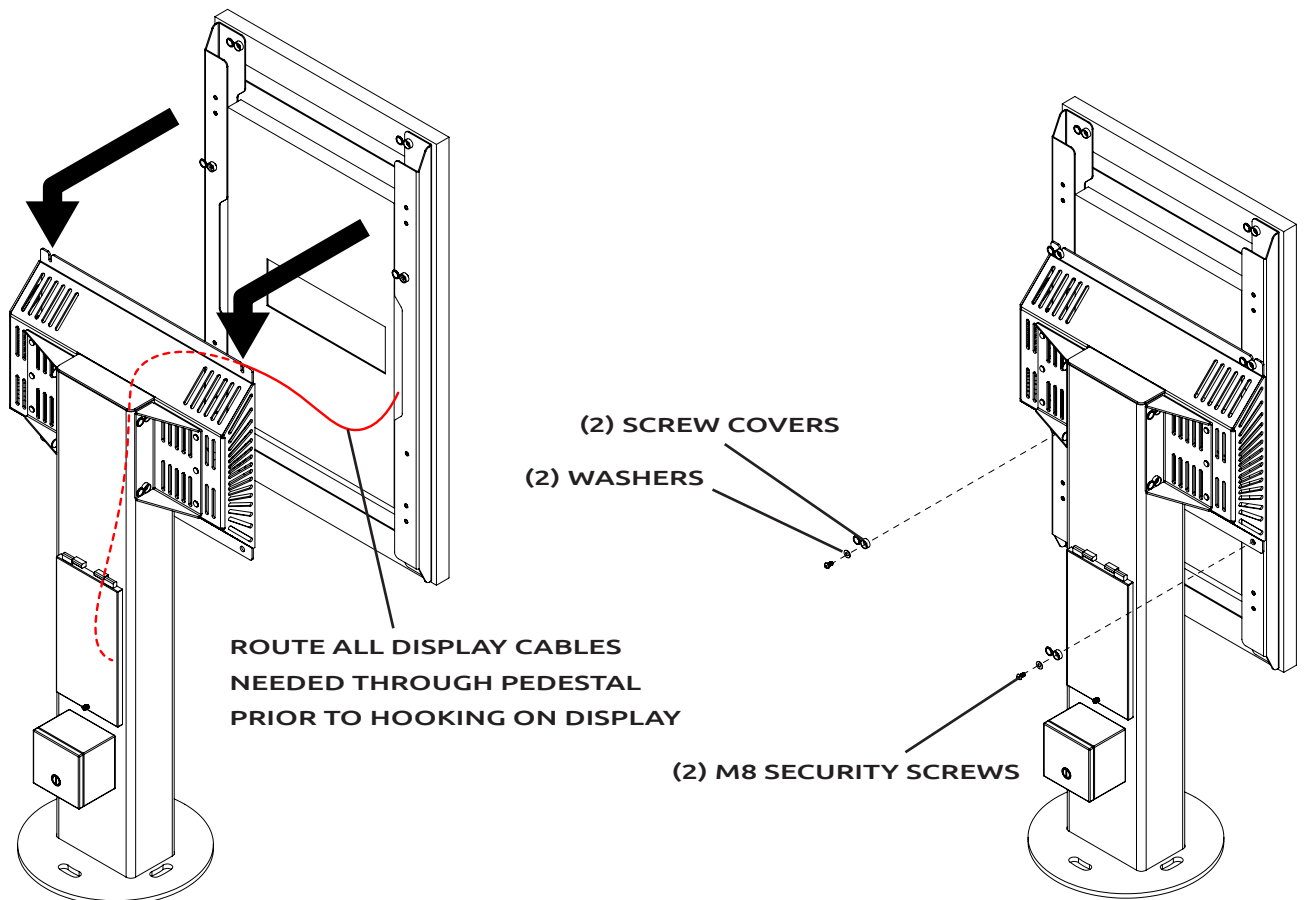
3

INSERT HARDWARE SHOWN INTO DISPLAY BRACKETS LEAVING A 3/16" GAP.



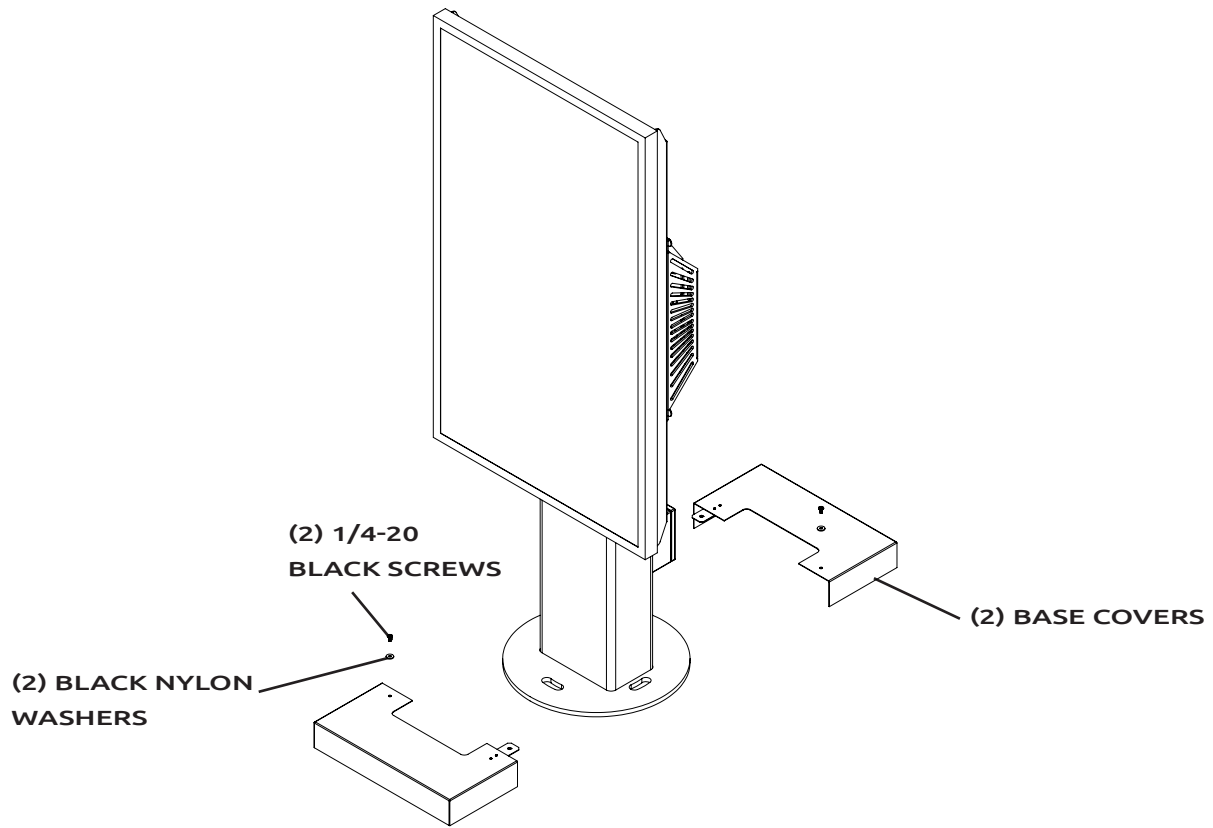
4

HOOK DISPLAY ONTO VERTICAL PEDESTAL, THEN SECURE DISPLAY TO PEDESTAL USING HARDWARE SHOWN BELOW. FULLY TIGHTEN ALL HARDWARE.



5

ATTACH BASE COVER TO BASE USING HARDWARE SHOWN.



6

NOTE: SPEAKER/MIC BOX CAN BE MOUNTED TO EITHER SIDE OF MENU BOARD. ATTACH SPEAKER/MIC BOX USING HARDWARE SHOWN.

