

S631 Adjustable Floor Stand With Metal Shelf

For Displays Up To 150 lbs

Best In Class Floor Stand Mounting Solution

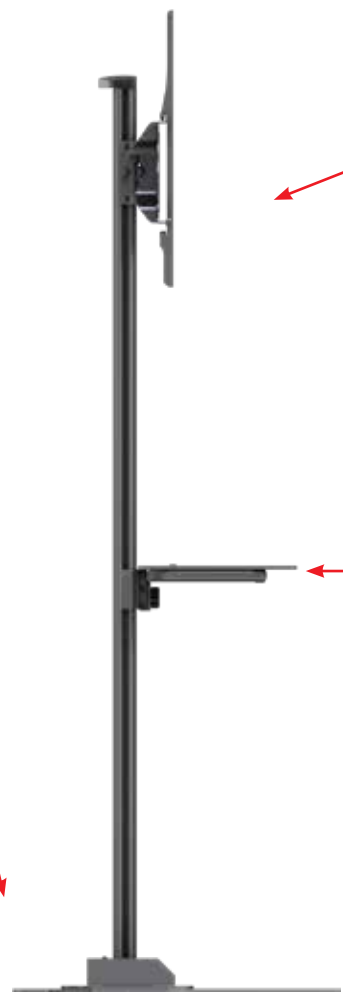
- Universal design
- VESA compatible
- Continuous vertical position adjustment for perfect viewing height
- Pin-locking incremental tilt adjustment
- Heavy-duty rubber casters for smooth mobility
- Metal component shelves easily attach after display is installed
- Integrated cable management for clean look
- Pre-sorted hardware pack for easy installation



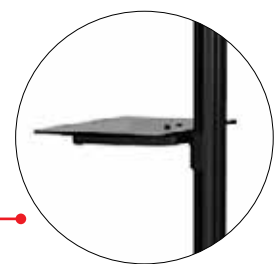
| Model | TV Size | VESA | Max Height | Max Load |
|-------|-----------|-----------|------------|----------|
| S631 | 37" - 70" | 723x501mm | 65" | 150lb |



HEAVY DUTY STAND
Low Profile Heavy Duty Stand
Heavy duty flat base designed for high traffic areas.



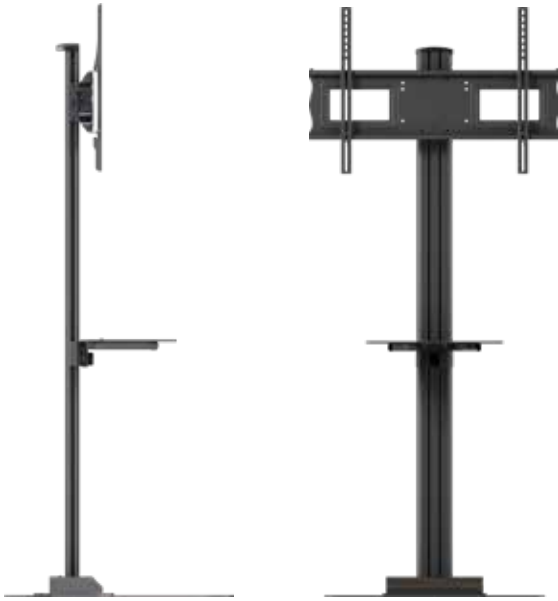
CONTINUOUS TILT
+15/-5 Degree Tilt
The mounting plate has continuous tilt of up +15/-5 degree for ideal display placement.



SHELVING ACCESSORY
Adjustable Tempered Metal Shelf
Designed with A metal (MSM) attachable shelf the S631 can support up to 50lbs of additional components.

S631 Adjustable Hight & Tilt Floor Stand

Universal design for 37" - 70"+ displays
Metal shelf included



| Attribute | Value |
|----------------------|-------------------------------------|
| Display size range | 37" - 70" |
| Weight capacity | 150lb (54kg) per display |
| Max mounting pattern | 723 x 501mm |
| Orientation | landscape or portrait |
| Tilt | +15°/-5° |
| Max display height | 65" (middle of display) |
| Construction | high-grade cold rolled steel |
| Product finish | scratch resistant epoxy powder coat |
| Color | black |
| Model number | S361 |
| Warranty | limited lifetime |

Floor stand with metal shelf for 37" to 70" displays. Universal design and heavy duty construction makes this stand ideal for Plasma, LCD or LED displays weighing up to 150 lb. Flat, stationary base is perfect for high traffic areas. Vertically adjustable metal shelf can be easily installed or removed without removing display.

