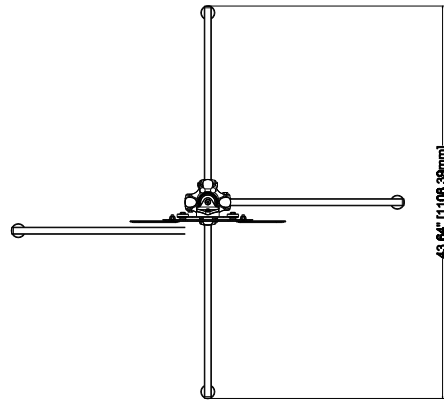
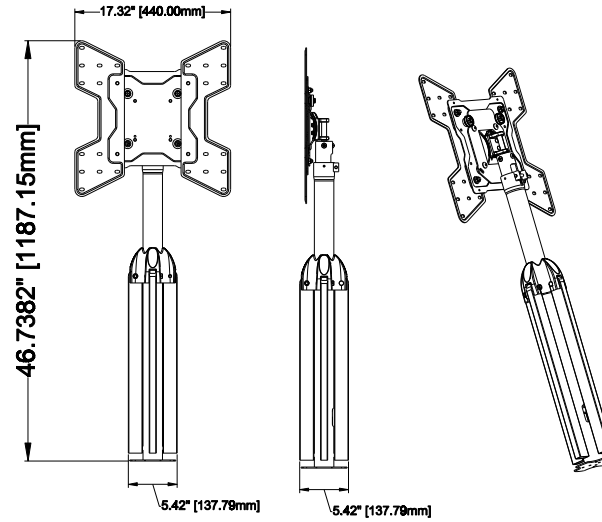


Maximum load rating: 100 lbs



43.94" [1108.39mm]

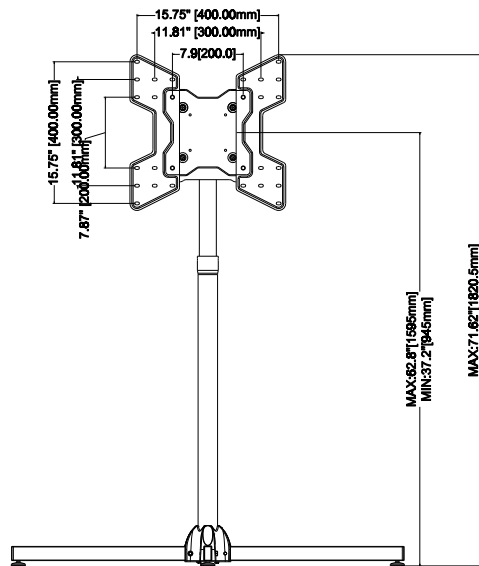
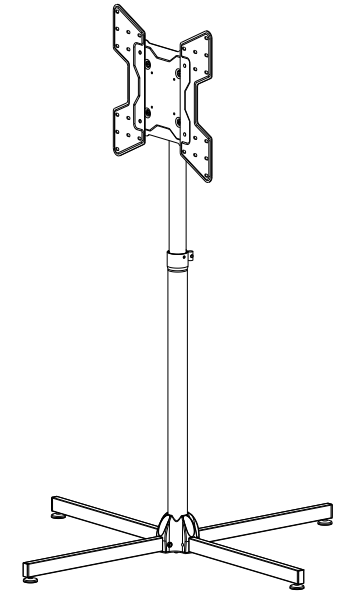


46.7382" [1187.15mm]

17.32" [440.00mm]

5.42" [137.79mm]

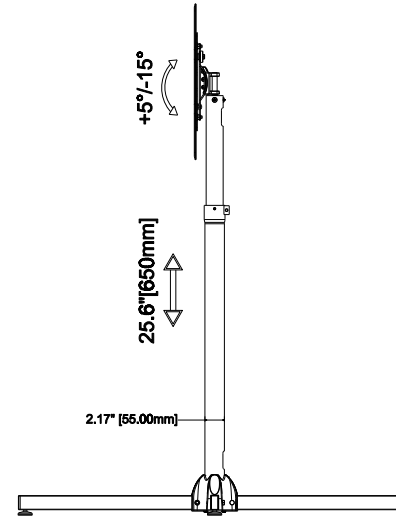
5.42" [137.79mm]



15.75" [400.00mm]
11.81" [300.00mm]
7.87" [200.00mm]
15.75" [400.00mm]
7.87" [200.00mm]

MAX: 82.8" [2095mm]
MIN: 37.2" [945mm]

MAX: 71.62" [1820.5mm]
MIN: 46" [1170.5mm]



+5°/-15°

25.6" [650mm]

2.17" [55.00mm]

THE INFORMATION CONTAINED IN THIS DRAWING IS THE SOLE PROPERTY OF CRIMSON AV LLC. ANY REPRODUCTION IN PART OR AS A WHOLE WITHOUT THE WRITTEN PERMISSION OF CRIMSON AV LLC IS PROHIBITED

CRIMSON AV LLC.

PRODUCT ORDER NUMBER: S46P

PHONE: 1-866-668-6888

Scale=1:1

Crimson AV LLC. www.crimsonav.com	
TITLE: S46P	
SIZE B	DWG.NO. S46P