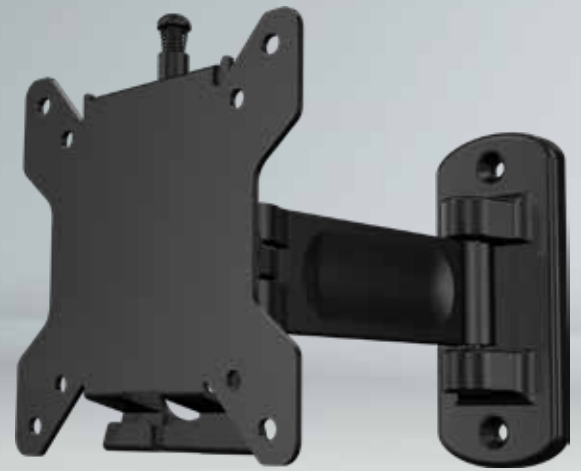


P30F Pivoting Wall Mount

For 10-30" Displays

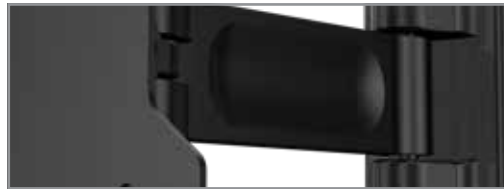
Best In Class Pivoting Wall Mount Solution

- VESA compatible 75x75mm, 100x100mm
- Pre-tensioned tilt mechanism for smooth adjustment
- Pre-assembled securing screw makes installation fast and easy
- Integrated cable management for clean look
- UL Approved



Model	Display Size	Max VESA	Total Load
P30F	10" - 30"	100 x100mm	30lb

Pre-Installed Securing Screw
Display simply hooks in place. Pre-assembled securing screw makes installation fast and easy.



Pivoting Arm
2 pivot joints for variable viewing angles.



Tilt
Pre-tensioned tilt mechanism allows 15° forward and 15° backward tilt for optimal viewing angles.



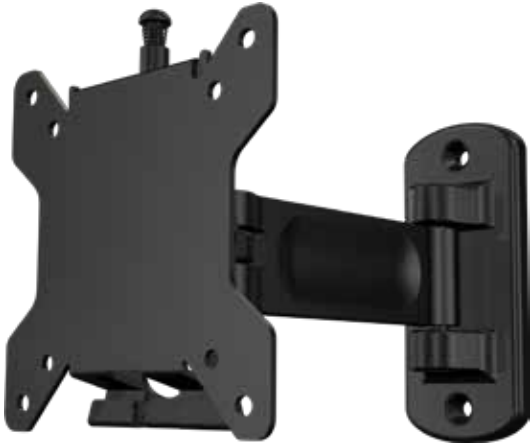
Cord Management
Integrated cord management for clutter-free installation.

VESA Compatible
Compatible with 75X75mm & 100X100mm compatible.

P30F Pivoting Wall Mount

For 10-30" displays

1-866-MOUNT-TV
www.crimsonav.com



Attribute	Value
Display size	10" - 30"
Weight capacity	30lb (14kg)
Max mounting pattern	100x100mm
Pivot	180°
Tilt	+15°/-15°
Depth from wall	2.0" (50.8mm)
Max extension	7.2" (182.5mm)
Construction	Aluminum/high-grade cold rolled steel
Product weight	1.5lb (0.7kg)
Product finish	Scratch resistant epoxy powder coat
Color	Black
Model number	P30F
Warranty	Limited lifetime

Pivoting mount for 10" to 30" flat panel displays. Swinging arm holds display 2" from wall and extends up to 7.2". Smooth tilt adjustments of 15° forward and 15° back for a variety of viewing angles. Makes a secure installation quick and easy, simply hang the display and turn the pre-assembled securing screw to lock in place. Integrated cable management for clean look.

