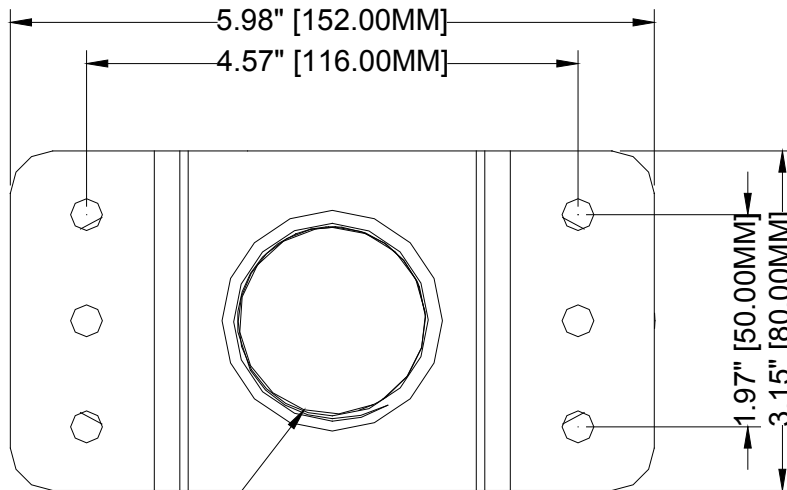
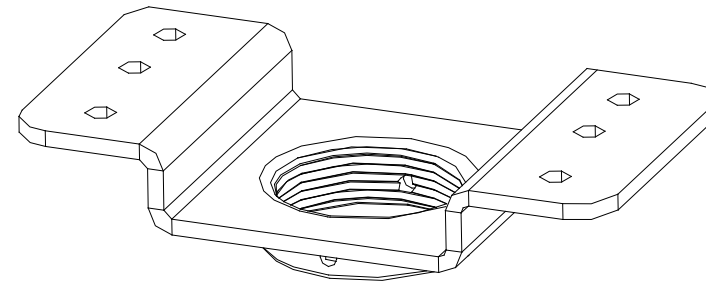
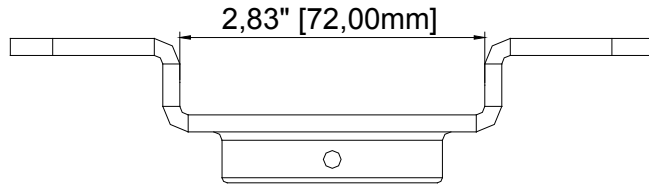
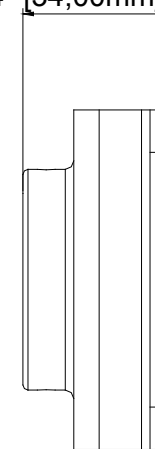


Maximum load rating: 300lbs



1.34" [34.00mm]



1-1/2-11.5NPS

THE INFORMATION CONTAINED IN THIS DRAWING IS THE SOLE PROPERTY OF CRIMSON AV LLC. ANY REPRODUCTION IN PART OR AS A WHOLE WITHOUT THE WRITTEN PERMISSION OF CRIMSON AV LLC IS PROHIBITED



CRIMSON AV LLC.

PRODUCT ORDER NUMBER: CA1
PHONE: 1-866-668-6888

Crimson AV LLC.
www.crimsonav.com

TITLE: CA1

SIZE DWG.NO.
B CA1

Scale: 1:1