

A40 Full Motion Articulating Wall Mount

For 13-49" Displays

Best In Class Articulating Wall Mount Solution

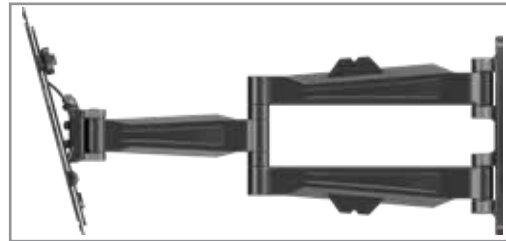
- OSHPD approved for seismic safety
- VESA compatible 100x100mm, 200x100mm, 200x200mm
- Optional AD400 extends compatibility up to 400x400mm
- Multiple attachment points for different mounting surfaces offers additional safety
- Smooth variable tilt from 15° forward to 5° back
- Integrated cable management for clean look



Model	Display Size	Max VESA	Total Load
A40	13" - 49"	200 x200mm	80lb

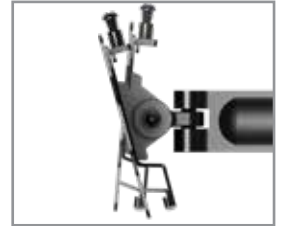
Pre-Installed Securing Screw

Display simply hooks in place. Pre-assembled securing screw makes installation fast and easy.



Full Range of Motion

3 pivot joints for variable viewing angles.

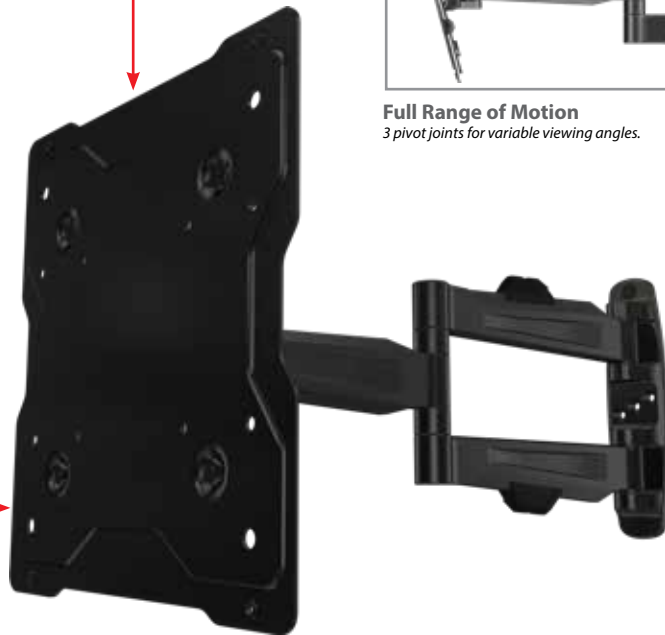


Tilt

Pre-tensioned tilt mechanism allows 15° forward and 5° backward tilt for optimal viewing angles.

VESA Compatible

Fits VESA hole patterns 75x75mm, 100x100mm, 200x100 and 200x200mm.



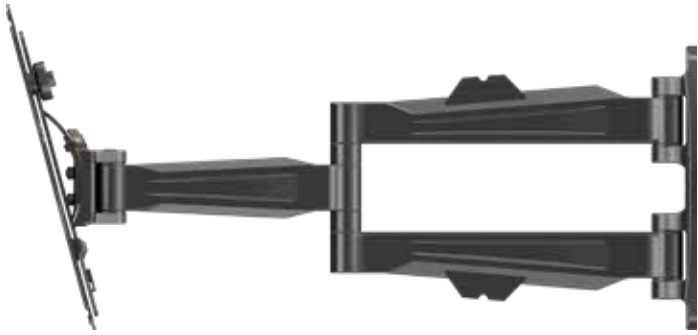
Cord Management

Integrated cord management for clutter-free installation.

A40 Full Motion Articulating Wall Mount

For 13-49" displays

1-866-MOUNT-TV
www.crimsonav.com



Attribute	Value
Display size	13" - 49"
Weight capacity	80lb (36kg)
Max mounting pattern	200x200mm
Pivot	180°
Tilt	+15°/-15°
Depth from wall	2.5" (63.5mm)
Max extension	21" (533mm)
Construction	Aluminum/high-grade cold rolled steel
Product weight	9.0lb (4.1kg)
Product finish	Scratch resistant epoxy powder coat
Color	Black
Model number	A40
Warranty	Limited lifetime

Articulating mount for 13" to 49" displays. Multiple joint arm holds display 2.5" from wall when retracted and 21" when fully extended. Smooth tilt adjustments of +15° (forward) and -5° (back) with a locking knob and 3° side-to-side roll facilitates a variety of viewing angles and perfect positioning. Three attachment points for wood studs and four attachment points for concrete walls provide additional security. Integrated cable management for clean look.

