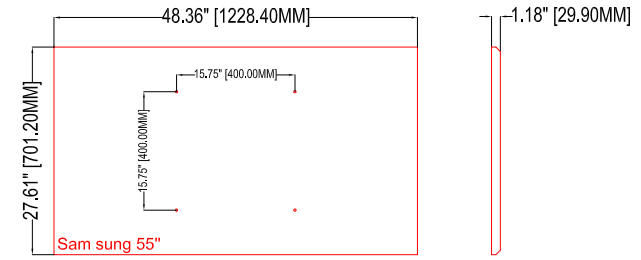
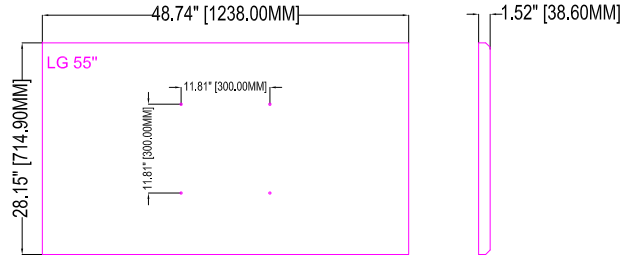
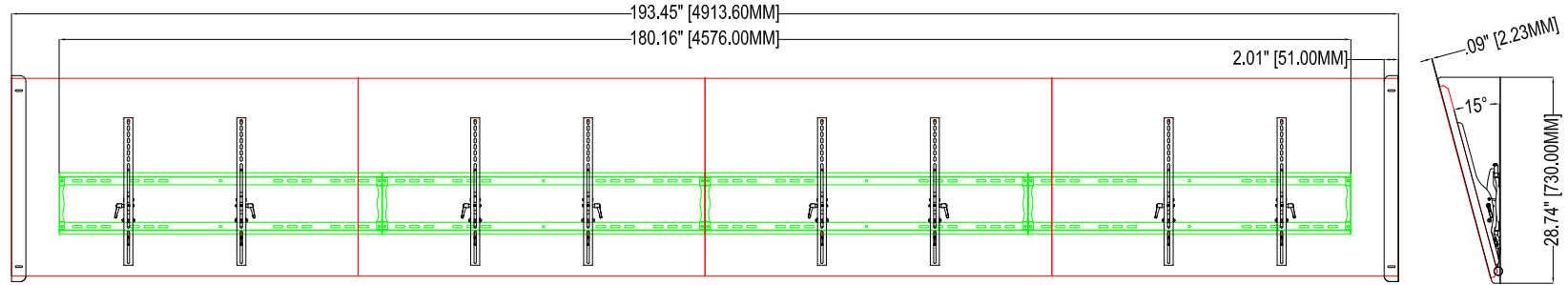


1 2 3 4 5 6 7 8



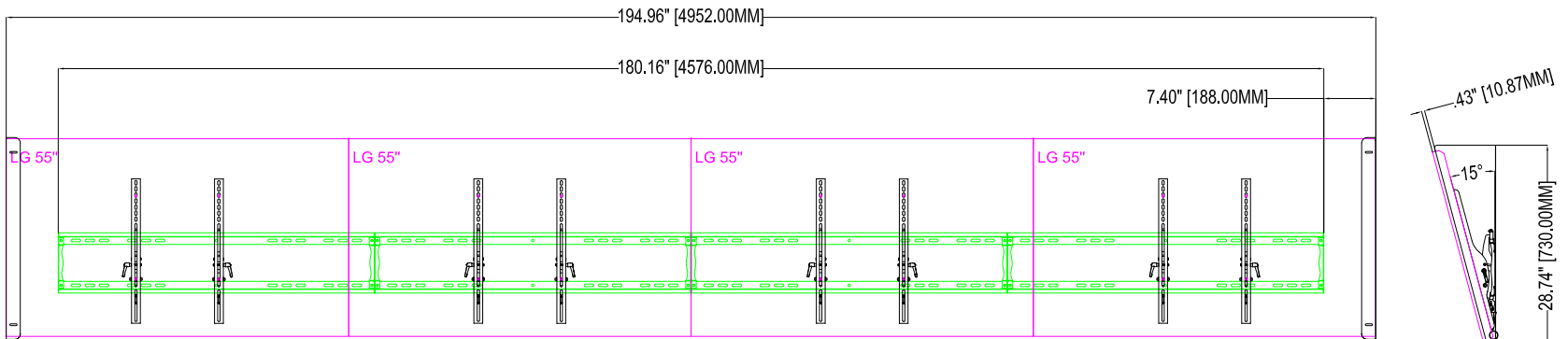
D

D



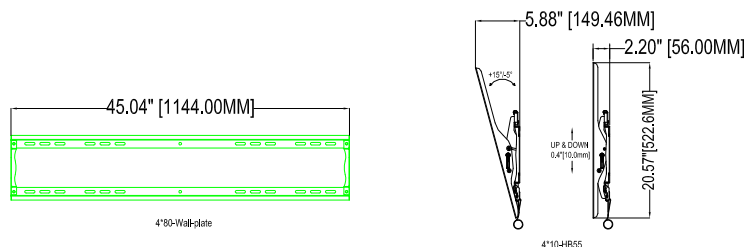
C

C



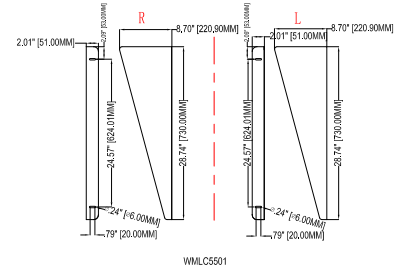
B

B



A

A



THE INFORMATION CONTAINED IN THIS DRAWING IS THE SOLE PROPERTY OF CRIMSON AV LLC. ANY REPRODUCTION IN PART OR AS A WHOLE WITHOUT THE WRITTEN PERMISSION OF CRIMSON AV LLC IS PROHIBITED



**CRIMSON AV LLC.**  
 PRODUCT ORDER NUMBER: WMLX55S  
 PHONE: 1-866-668-6888

WMLX55S

Scale=1:1

Crimson AV LLC. www.crimsonav.com	
TITLE:	WMLX55S
SIZE DWG.NO.	WMLX55S

1 2 3 4 5 6 7 8