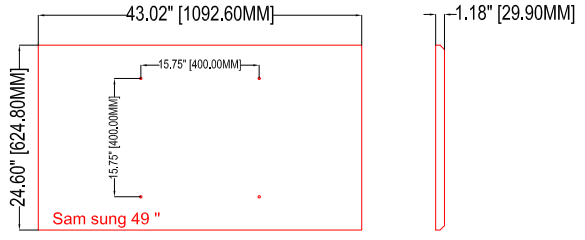
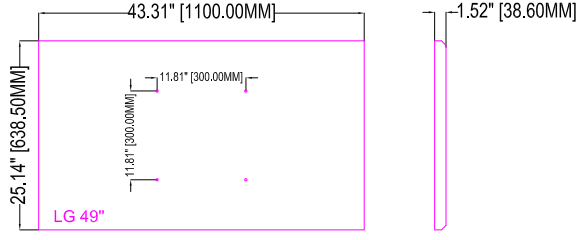


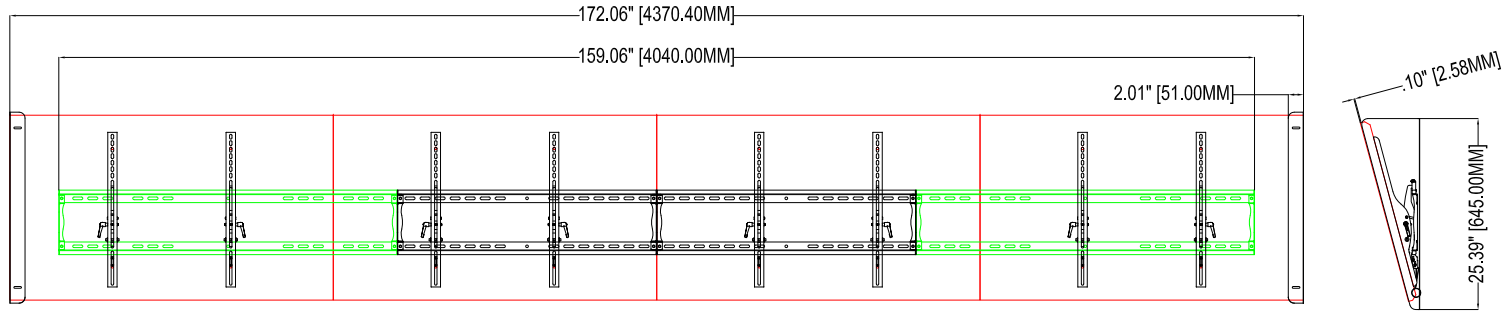
1 2 3 4 5 6 7 8

D



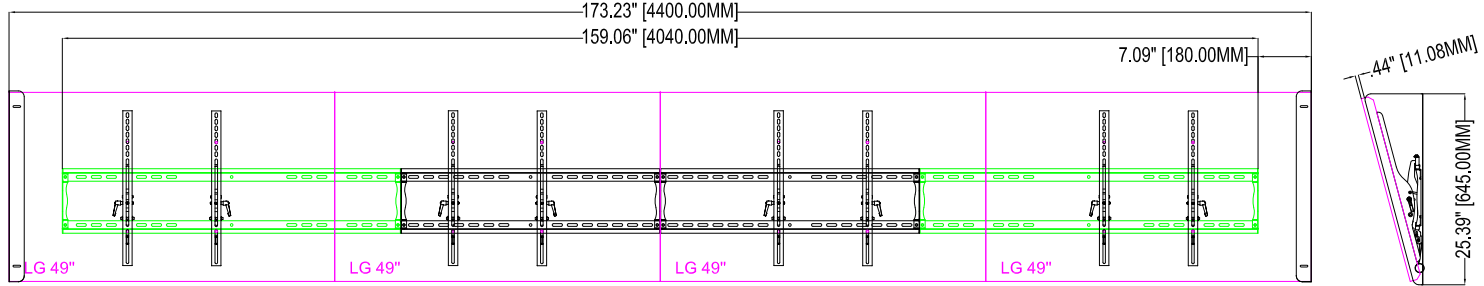
D

C



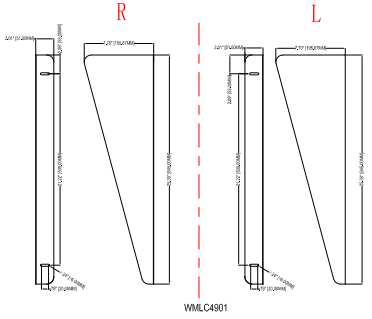
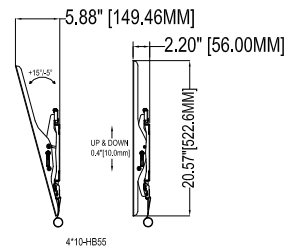
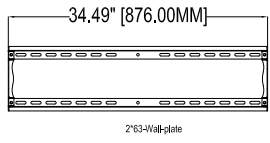
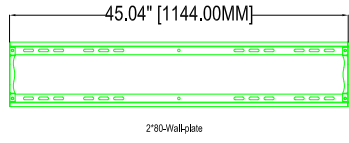
C

B



B

A



A

THE INFORMATION CONTAINED IN THIS DRAWING IS THE SOLE PROPERTY OF CRIMSON AV LLC. ANY REPRODUCTION IN PART OR AS A WHOLE WITHOUT THE WRITTEN PERMISSION OF CRIMSON AV LLC IS PROHIBITED



CRIMSON AV LLC.
 PRODUCT ORDER NUMBER: WMLX49S
 PHONE: 1-866-668-6888

WMLX49S

Scale=1:1

Crimson AV LLC. www.crimsonav.com	
TITLE:	WMLX49S
SIZE DWG.NO.	WMLX49S

1 2 3 4 5 6 7 8