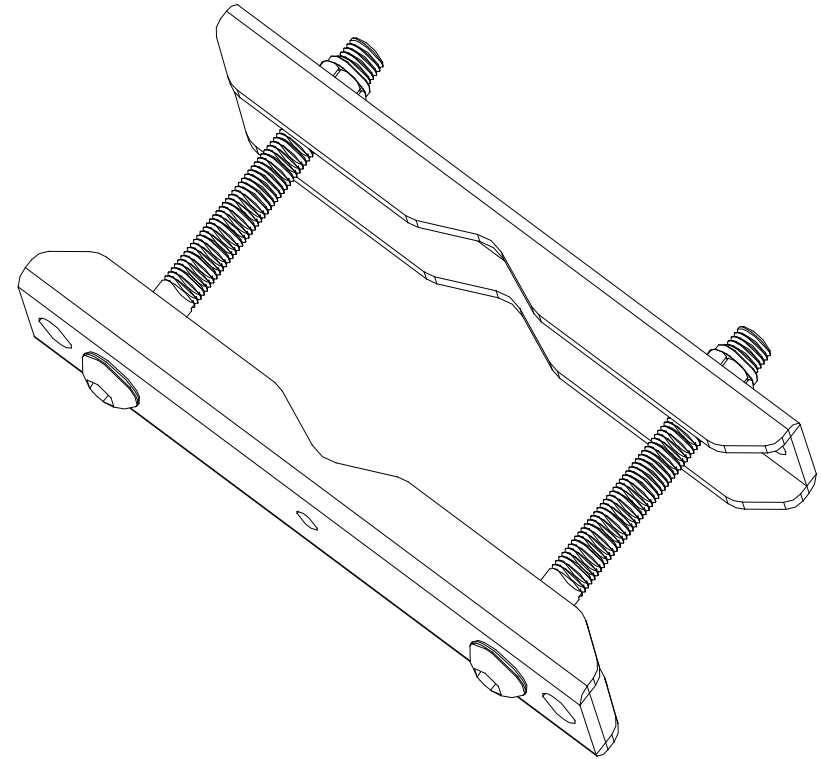
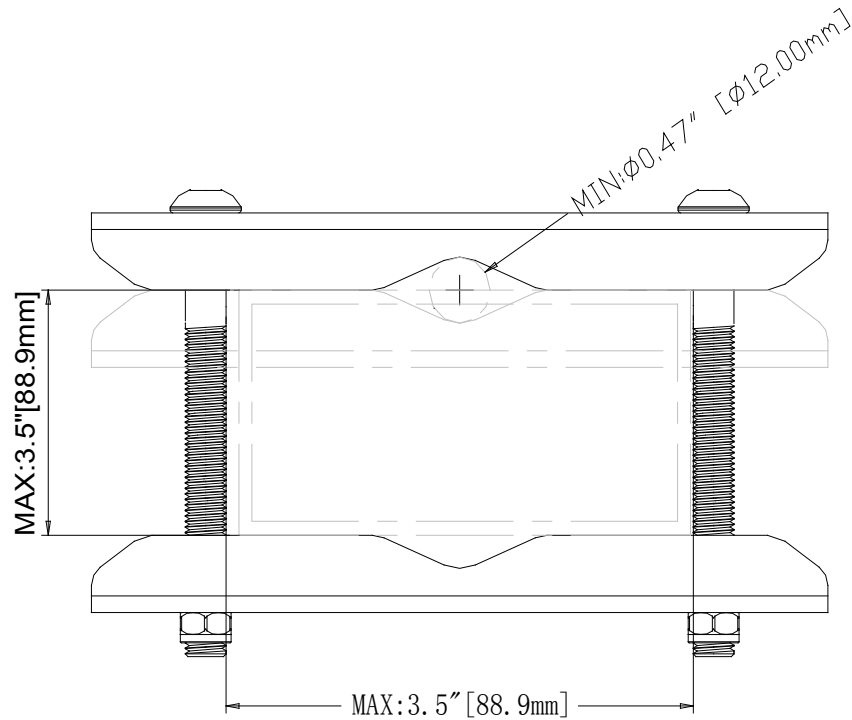


Maximum load rating: 125 lbs



THE INFORMATION CONTAINED IN THIS DRAWING IS THE SOLE PROPERTY OF CRIMSON AV LLC. ANY REPRODUCTION IN PART OR AS A WHOLE WITHOUT THE WRITTEN PERMISSION OF CRIMSON AV LLC IS PROHIBITED



CRIMSON AV LLC.

PRODUCT ORDER NUMBER: **CLAMP3**  
PHONE: 1-866-668-6888

Scale: 1:1

Crimson AV LLC.  
www.crimsonav.com

TITLE:  
**CLAMP3**

SIZE DWG.N.O.  
B **CLAMP3**