



Professional Solutions - Unrivalled Value

Screen adapter and ceiling box assembly for mounting 13" to 37" flat panel screens. Continuous tilt of 20° forward with 360° rotation. Makes a secure installation quick and easy, simply hang the screen and turn the pre-assembled securing screw to lock in place. Compatible with all 1.5" NPT threaded pipe.

13"-46" / 33cm-106cm

80 LB / 36 KG

Fits Flat Panels

Fits most 13" to 46" flat panel screens weighing up to 80lb.

Vesa Compatible

Compatible with 75X75mm, 100X100mm, 200X100mm and 200X200mm sizes.

Standard Interface

Mounts to any 1.5" NPT threaded pipe.

Multi-angle Positioning

Up to 20° of continuous tilt and 360° rotation.

Easy Installation

Pre-assembled securing screw makes installation fast and easy.

Included Hardware

Pre-sorted hardware pack for easy component selection and installation (hardware for installation to wood studs or concrete surfaces included).

Functional Specifications

Tilt: +20°/-0°
Rotation: 360°

Mounting Surfaces: 1.5" NPT Threaded connection.

Max Mounting Pattern:
200mm (7.9") width
200mm (7.9") height

Load Capacity: 80 LB / 36 KG

Warranty: Limited 10 Years

Pre-Installed Securing Screws
Easy hook and secure installation and pre-assembled securing screw makes installation fast and easy.

VESA Design
VESA compliant with 75X75mm, 100X100mm, 200X100mm and 200X200mm sizes.

Mounting Surface
Standard 1.5" NPT threaded connection.

Tilt
Up to 20° of continuous tilt.

Tilt
0 to +20° tilt for optimal viewing angles.

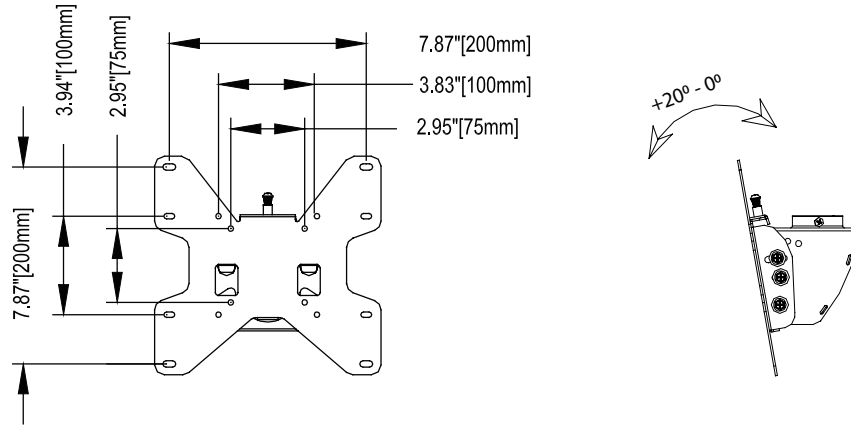
Mounting Hardware
Complete set of screen mounting hardware, labeled for ease of use and ready to go.



Single Flat Panel Ceiling Mount

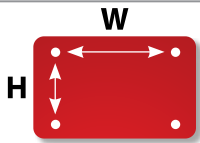
For 13" to 46" (33-116cm) LCD and Plasma TV's

C37 (BLACK)



Product Specifications				Package Specifications			
PRODUCT WEIGHT	LOAD CAPACITY	COLORS	FINISH	PACKAGE SIZE (WxHxD)	SHIP WEIGHT	UPC CODE	PACKAGE CONTENTS
4lb (1.8kg)	80lb (36kg)	Black	Scratch resistant powder coating	10" x 9.4" x 4.7" (254 x 239 x 119 mm)	5.9lb (2.7kg)	C37 (Black) 0815885010859	Mount, screen mounting hardware, product manual.

Mounting Interface



Max Mounting Pattern
200mm (W) x 200mm (H)

VESA	W	H	75mm	100mm	100mm	200mm
	X	X	75mm	100mm	200mm	200mm

Accessories

Suspended Ceiling Adapters



CAS1W

For mounting above a false ceiling tile. 13" of lateral shift for fast project adjustment. Compatible with all 1.5" NPT threaded pipe.



CAS2W

Replaces a standard 2' x 2' grid. 13" of lateral shift for fast project adjustment. Compatible with all 1.5" NPT threaded pipe.

Structural Ceiling Adapters



CA1

Wood Single Joist / Concrete



CA2

Wood 16" Double Joist / Concrete



CA4

General Purpose 4x4"



CA8

General Purpose 8x8"

Truss Ceiling Adapter



CAT3

Mounts to round, square and rectangular trusses from .75" up to 3" in diameter and is compatible with all 1.5" NPT threaded pipe.

Vaulted Ceiling Adapter



CAV1

For installation on cathedral or vaulted ceilings. Adjusts up to 94° and is compatible with all 1.5" NPT threaded pipe.

Unistrut Ceiling Adapters



CAU1

Bracket and hardware for mounting to single 1-5/8"x1-5/8" Unistrut.



CAU4

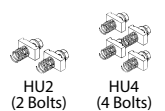
Bracket and hardware (4x4) for mounting to standard 1-5/8"x1-5/8" dual channels spaced on 2.25" centers.



CAU8

Bracket and hardware (8x8) for mounting to standard 1-5/8"x1-5/8" dual channels spaced on 6" centers.

Unistrut Bolts



HU2 (2 Bolts)

HU4 (4 Bolts)

3/8" bolts and spring nuts for mounting ceiling brackets to standard 1-5/8"x1-5/8".

Fixed Columns

Static ceiling columns for use with all ceiling adapters using standard 1.5" NPT interfaces. Connectors (sold separately) give ability to extend drop lengths by connecting two or more columns. Cable management with a completely open interior.



BLACK	DROP
E06	6"
E1	12"
E018	18"
E2	2'
E3	3'
E4	4'
E5	5'
E6	6'
E7	7'
E8	8'
E9	9'
E10	10'

Adjustable Columns

Adjustable extension columns designed for use with all ceiling adapters using standard 1.5" NPT interfaces. Column allows for flexibility with quick 1" incremental drop length adjustments and cable management with a completely open interior. Connectors (sold separately) give ability to extend drop lengths by connecting two or more columns.



BLACK	DROP
EA0611	6"-11"
EA01218	12"-18"
EA01824	18"-24"
EA23	2'-3'
EA24	2'-4'
EA35	3'-5'
EA46	4'-6'
EA57	5'-7'
EA68	6'-8'
EA79	7'-9'
EA810	8'-10'
EA911	9'-11'
EA1012	10'-12'

Visit crimsonav.com to see the full line of vidamounts LCD/plasma, projector and TV/monitor mounts. © 2010 Crimson AV LLC. All rights reserved.