



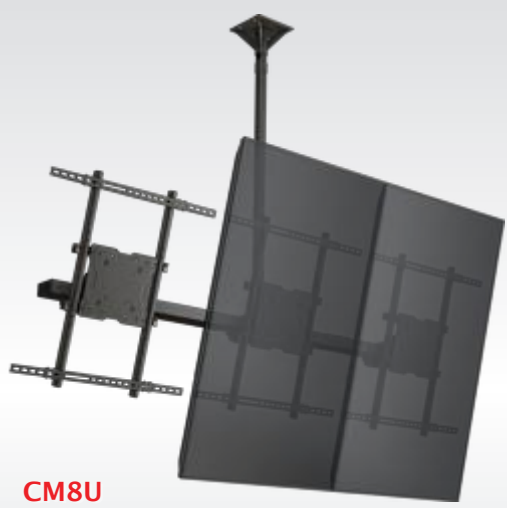
**Superior Product   Superior Service   Superior Value**

**Ceiling Mounted Menu Board Solutions**

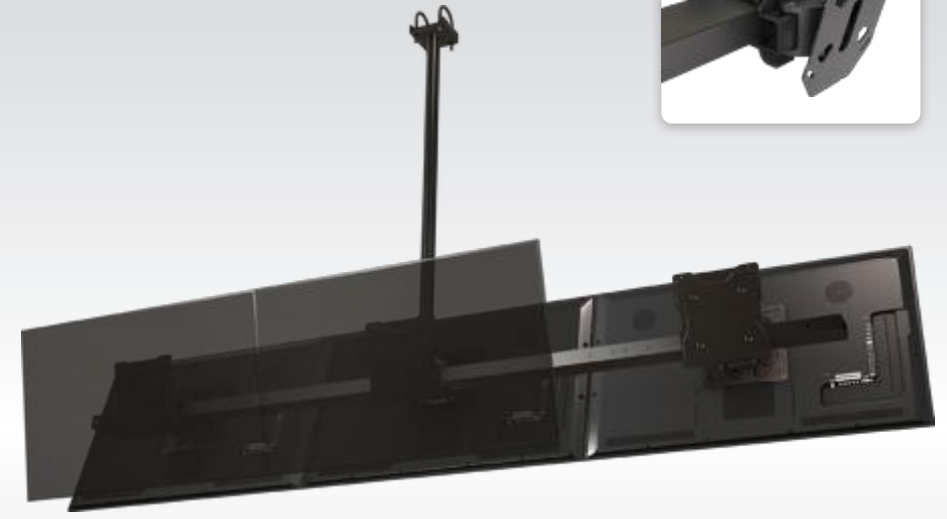
Crimson maintains a deeply rooted philosophy that AV mounting solutions should be easy to shop for, purchase and install, providing value to the integrator and end user alike, without the typical hassle or “gauging” often experienced elsewhere. We know integrators need one source, one solution and we aim to deliver. We operate under a lean business model and work tirelessly to produce needed solutions, partnering with our dealers to deliver the products they need for highly competitive prices.



# In-line multi-display system Landscape and Portrait orientation



CM8U



CML3155D-4V



close-up



**CMD4V**  
Five dual back to back mounts with two drops



## Infinite length

The most flexible and infinitely expandable system for installing menu boards or any in-line single side or back to back configuration for displays 32"- 65" and larger. Ceiling drops are recommended for every four displays mounted to ensure a safe and secure installation.

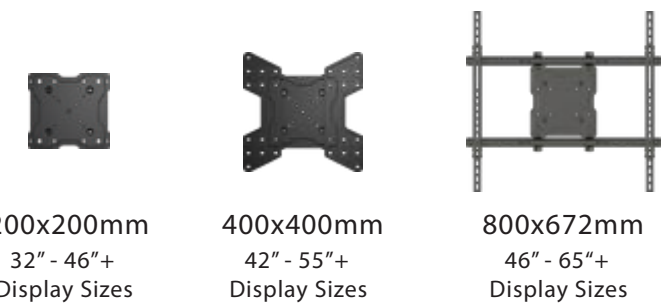
## Menu board solutions that are easy to install and align

- Quick and simple Per-Display pricing
- Single & dual drop kitted solutions available
- Landscape and Portrait orientation in a single solution
- Back to Back configuration
- Fully adjustable (tilt, vertical, horizontal, roll)
- Variety of ceiling adapters to choose from (included in the price)
- Universal design / VESA compatible up to 800x600mm
- Infinitely expandable
- Add fixed or adjustable columns (E-Series or EA-Series to complete the solution)

The most flexible and infinitely expandable system for installing menu boards or any in-line single side or back to back configuration for displays 32"-65" and larger.

For ease of quoting your customer, prices are based on the number of displays to be mounted. Hang 2,3,10 or more displays in-line. You are limited only by the structure to which the system is attached.

### Three mounting interfaces to choose from



200x200mm  
32" - 46"+  
Display Sizes

400x400mm  
42" - 55"+  
Display Sizes

800x672mm  
46" - 65"+  
Display Sizes

## Accessories / A La Carte

### Customize your Menu Board mount system

Maximize your Menu Board mount system's usability by adding accessories that allow them to be affixed to round or rectangular pipes, provide pivoting mechanisms, facilitate small components or larger monitors, and so much more. A small assortment is shown here but more options are available on our website.



ADCPU  
Media player accessory



CLAMP3  
Attaches to 3.5" diam. round or rectangular structures



E-SERIES PIPE	
Model	Drop Length
E04	4"
E06	6"
E1	12"
E018	18"
E2	2'
E3	3'
E4	4'
E5	5'
E6	6'
E7	7'
E8	8'
E9	9'
E10	10'



EA-SERIES PIPE	
Model	Drop Length
EA0611	6" - 11"
EA01218	12" - 18"
EA01824	18" - 24"
EA23	2' - 3'
EA24	2' - 4'
EA35	3' - 5'
EA46	4' - 6'
EA68	6' - 8'
EA810	8' - 10'
EA1012	10' - 12'



EC1  
Pipe Connector



EC3  
Rotating Pipe Connector

Custom per Screen / Dual Screen			
Model	Max Mounting Pattern	Max Weight per Display	Tilt
Single Display:			
CM2V	200x200mm	150	+15°/-5°
CM4V	400x400mm	150	+15°/-5°
CM8U	800x672mm	150	+15°/-5°
Back to Back Display:			
CMD2V	200x200mm	150	+15°/-5°
CMD4V	400x400mm	150	+15°/-5°
CMD8U	800x672mm	150	+15°/-5°

Single Drop Pre-fab Kits						
Model	Display Size (in)	Max Mounting Pattern	Max Weight per Display (lb)	Orientation	Number of In-Linemounts	Tilt
Single Display:						
CML2146-4V	32 - 46	200x200mm	150	Landscape	2	+15°/-5°
CMP3146-4V	32 - 46	200x200mm	150	Portrait	3	+15°/-5°
CML3155-4V	42 - 55	400x400mm	150	Landscape	3	+15°/-5°
CML2165-4V	46 - 65+	800x672mm	150	Landscape	2	+15°/-5°
CML2165-8U	46 - 65+	800x672mm	150	Landscape	2	+15°/-5°
Back to Back Display:						
CML2146D-4V	32 - 46	200x200mm	150	Landscape	2	+15°/-5°
CML3155D-4V	42 - 55	400x400mm	150	Landscape	3	+15°/-5°

## Ceiling Interface Adapters



CA8XD  
Heavy Duty 8x8

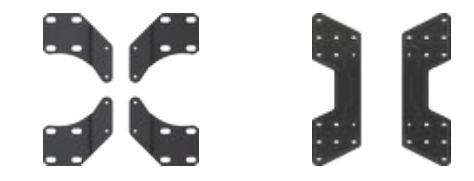
CAT3  
Truss

CAB1  
I-Beam Clamp

CAV1  
Vaulted Ceiling

HU  
Unistrut Hardware

## VESA Adapter Extenders



AD4300  
VESA 400x300mm

AD400  
VESA 400x400mm