

As the need for video surveillance becomes more prevalent in today's world, you can trust Crimson AV to provide durable, functional and cost-effective mounting solutions for your every need. Our heavy duty outdoor camera mounts are built to withstand exposure to the elements and our complete line of mounting hardware for video displays and monitors is ideal for outfitting your state of the art control room.

**Camera Mounts and Accessories:**



**RW12** Wall Mount for 1.5" NPT Camera Domes

- Load Capacity: 60lb (27kg)
- Durable Aluminum
- Scratch Resistant Epoxy Powder Coat
- Standard 1.5" NPT interface

Use RW12 aluminum wall mount to install any camera dome system with 1.5" NPT interface. Built to withstand the elements. Load capacity 60 lb.



**RF24 & RF24E** Parapet / Flat Roof Mount for 1.5" NPT Camera Domes

- Load Capacity: 60lb (27kg)
- Durable Aluminum
- Scratch Resistant Epoxy Powder Coat
- Standard 1.5" NPT interface
- Optional 20" Extension (RF24E)

The RF24 was created for use on building parapets and flat roofs, and is manufactured out of aluminum with scratch resistant epoxy powder coat for lasting durability. The RF24 is compatible with all camera domes with 1.5" NPT interface. RF24E includes a 20" height extender.



**RW24 & RW24E** Parapet / Wall Mount for 1.5" NPT Camera Domes

- Load Capacity: 60lb (27kg)
- Durable Aluminum
- Scratch Resistant Epoxy Powder Coat
- Standard 1.5" NPT interface
- Optional 20" Extension (RW24E)

The RW24 was created for use on building parapets or walls and is manufactured out of aluminum with scratch resistant epoxy powder coat for lasting durability. The RW24 is compatible with all camera domes with 1.5" NPT interface. RW24E includes a 20" height extender.



**RP12 with RW12**

**RP12 Pole Mount Adapter**

Mounts to poles from 3"-15" diameter, using stainless steel straps and clips. Camera mounts such as RW12 attach directly to threaded inserts on RP12. RP12 is manufactured out of durable aluminum with a scratch resistant epoxy powder coat to withstand the elements.

- Load Capacity: 75lb (34kg)
- Mount to poles: 3"-15" diameter
- Durable Aluminum
- Scratch Resistant Epoxy Powder Coat
- Threaded Inserts for Fast and Easy Installation



**CAR4 Ceiling Mount Junction Box**

The CAR4 junction box comes with a 1.5" NPT interface. Combine with E or EA-Series extension pipes for desired drop length from ceiling. Made from durable cold rolled steel with scratch resistant powder coat finish.

- Load Capacity: 75lb (34kg)
- High Grade Cold Rolled Steel
- Scratch Resistant Epoxy Powder Coat
- Threaded Inserts for Fast and Easy Installation



**RW90 with RW12**

**RW90 Corner Mounting Bracket**

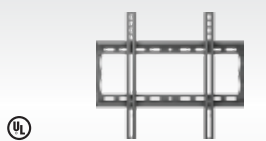
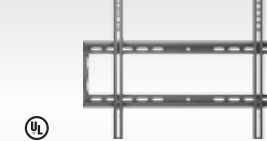
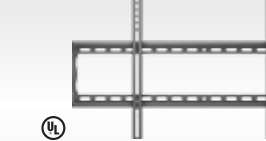
Manufactured out of durable aluminum with a scratch resistant epoxy powder coat to withstand the elements. Camera mounts such as RW12 attach directly to threaded inserts on RW90.

- Load Capacity: 75lb (34kg)
- Durable Aluminum
- Scratch Resistant Epoxy Powder Coat
- Threaded Inserts for Fast and Easy Installation






**Fixed Wall Mounts**

Universal hole pattern to fit a wide selection of flat panel screens. Makes a secure installation quick and easy, simply hang the screen and turn the pre-assembled securing screw to lock in place. Open wall plate design provides easy access to wiring. Built in kickstand holds TV away from wall during installation so you can easily attach cords. Comes with pre-sorted hardware pack for easy installation to wood studs, concrete or cinderblock surfaces.

 <p><b>F46</b></p> <ul style="list-style-type: none"> <li>● Screen Size: 26-46"</li> <li>● Max Universal Mounting Pattern: 452x401mm</li> <li>● Load Capacity: 150lb (68kg)</li> <li>● Depth From Wall: 1.2"(30mm)</li> </ul>	 <p><b>F55</b></p> <ul style="list-style-type: none"> <li>● Screen Sizes: 32-55"</li> <li>● Max Universal Mounting Pattern: 660x501mm</li> <li>● Load Capacity: 200lb (91kg)</li> <li>● Depth From Wall: 1.2"(30mm)</li> </ul>	 <p><b>F63</b></p> <ul style="list-style-type: none"> <li>● Screen Sizes: 37-63"</li> <li>● Max Universal Mounting Pattern: 838x502mm</li> <li>● Load Capacity: 200lb (91kg)</li> <li>● Depth From Wall: 1.2"(30mm)</li> </ul>
--	---	---

**Tilting Wall Mounts**

Adjustable tilt wall mount with Universal hole pattern to fit a wide selection of flat panel screens. Smooth tilt adjustment of 15° forward and 5° back with a locking knob for a variety of viewing angles. Makes a secure installation quick and easy, simply hang the screen and turn the pre-assembled securing screw to lock in place. Open wall plate design provides easy access to wiring. Comes with pre-sorted hardware pack for easy installation to wood studs or concrete surfaces.

 <p><b>T46</b></p> <ul style="list-style-type: none"> <li>● Screen Size: 26-46"</li> <li>● Max Universal Mounting Pattern: 452x401mm</li> <li>● Depth from Wall: 2.2" (55mm)</li> <li>● Load Capacity: 150lb (68kg)</li> </ul>	 <p><b>T55</b></p> <ul style="list-style-type: none"> <li>● Screen Sizes: 32-55"</li> <li>● Max Universal Mounting Pattern: 660x501mm</li> <li>● Depth from Wall: 2.2" (55mm)</li> <li>● Load Capacity: 200lb (91kg)</li> </ul>	 <p><b>T63</b></p> <ul style="list-style-type: none"> <li>● Screen Sizes: 37-63"</li> <li>● Max Universal Mounting Pattern: 838x502mm</li> <li>● Depth from Wall: 2.2" (55mm)</li> <li>● Load Capacity: 200lb (91kg)</li> </ul>
---	--	--

**Multi-Angle (Articulating) Wall Mounts**




Smooth tilt adjustments of 15° forward and 5° back with a locking knob for a variety of viewing angles. For perfect screen positioning there is a 6° side to side roll. Makes a secure installation quick and easy, simply hang the screen and turn the pre-assembled securing screws to lock in place. Integrated cable management for clean look.

 <p><b>A32F</b></p> <ul style="list-style-type: none"> <li>● Screen Size: 13-32"</li> <li>● Depth from Wall: 2"(50mm)</li> <li>● Max Extension: 14.6" (118mm)</li> <li>● Max VESA Size: 200x100mm</li> <li>● Load Capacity: 30lb (14kg)</li> </ul>	 <p><b>A37F</b></p> <ul style="list-style-type: none"> <li>● Screen Sizes: 13-37"</li> <li>● Depth from Wall: 2.9"(73mm)</li> <li>● Max Extension: 15.4" (392mm)</li> <li>● Max VESA Size: 200x200mm</li> <li>● Load Capacity: 80lb (36kg)</li> </ul>	 <p><b>A46F</b></p> <ul style="list-style-type: none"> <li>● Screen Sizes: 26-46"</li> <li>● Depth from Wall: 3.8" (96.2mm)</li> <li>● Max Extension: 15.5" (394mm)</li> <li>● Max Mounting Size: 454x401mm</li> <li>● Load Capacity: 80lb (36kg)</li> </ul>
---	--	---

**Desktop Stands**

Monitor stands with VESA screen adapter. Free standing base for perfect monitor placement. Monitor can be rotated from portrait or landscape. Continuous vertical adjustment for optimal viewing height. Fingertip tilt and screen leveling.

- Load Capacity: 30lb (14kg) per monitor
- VESA Mounting Patterns: 75x75mm, 100x100mm
- Tilt: +25°/-5°

 <p><b>DS1</b> 10-26" Screens</p>	 <p><b>DSH2</b> 10-24" Screens Dual Monitor: Fits two screens up to 22.75" wide side by side</p>	 <p><b>DSV2</b> 10-24" Screens Dual Monitor: Fits two screens up to 15" tall vertically</p>
--	---	--