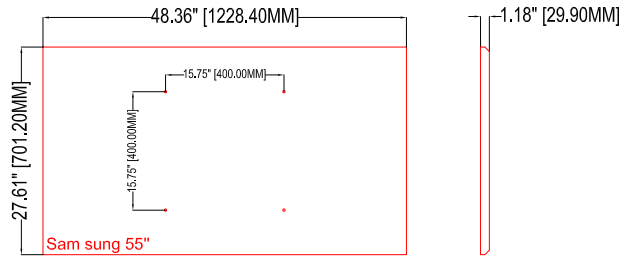
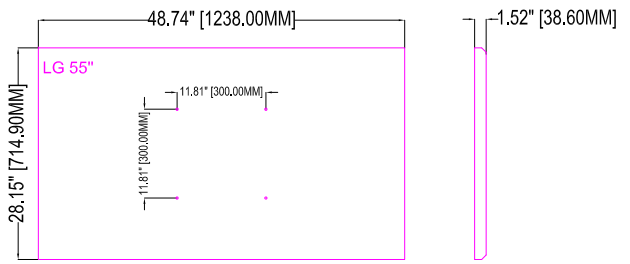


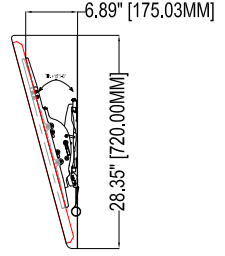
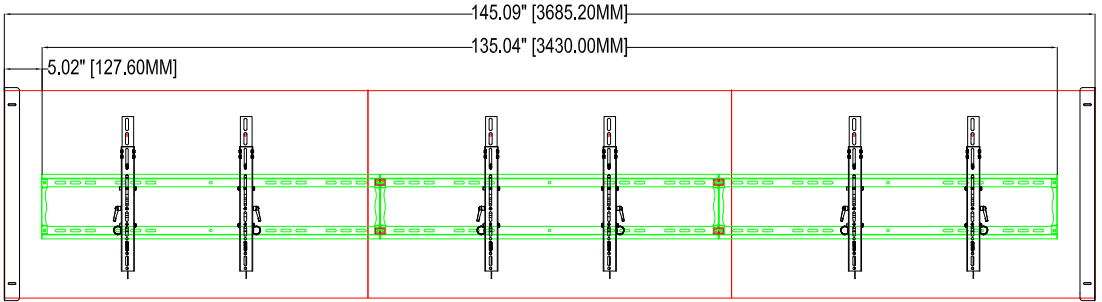
1 2 3 4 5 6 7 8

D



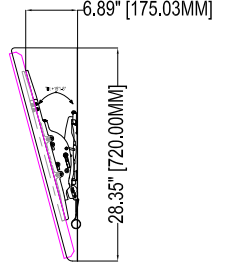
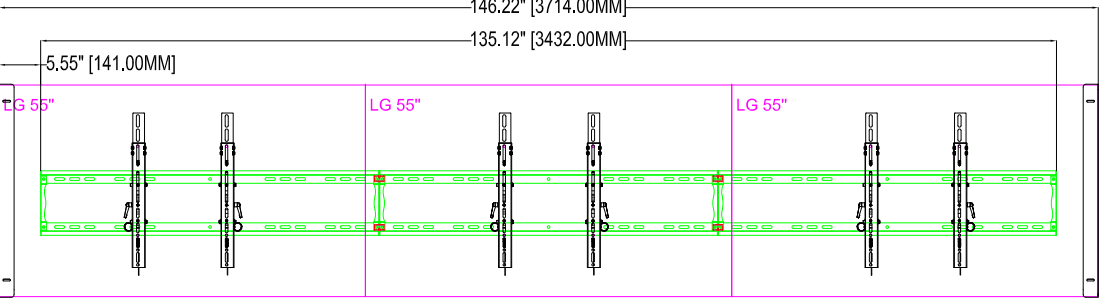
D

C



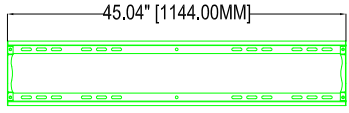
C

B

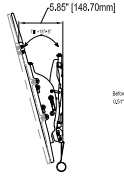


B

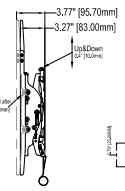
A



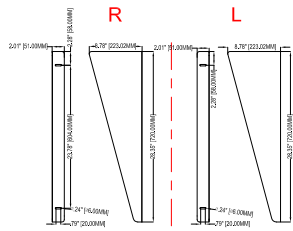
3/80-Wall-plate



3/WMG2



2/AWL



WML2C5501

THE INFORMATION CONTAINED IN THIS DRAWING IS THE SOLE PROPERTY OF CRIMSON AV LLC. ANY REPRODUCTION IN PART OR AS A WHOLE WITHOUT THE WRITTEN PERMISSION OF CRIMSON AV LLC IS PROHIBITED



CRIMSON AV LLC.

PRODUCT ORDER NUMBER:  
PHONE: 1-866-668-6888

WML2X55S

Scale=1:1

Crimson AV LLC. www.crimsonav.com	
TITLE:	WML2X55S
SIZE DWG.NO.	WML2X55S

1 2 3 4 5 6 7 8