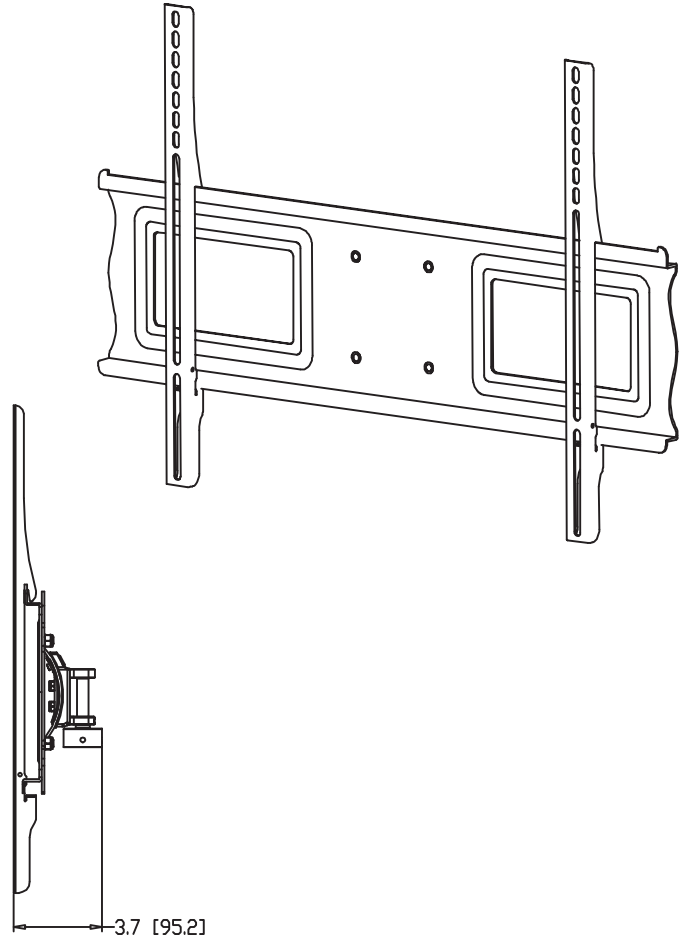


±15°



THE INFORMATION CONTAINED IN THIS DRAWING IS THE SOLE PROPERTY OF CRIMSON AV LLC. ANY REPRODUCTION IN PART OR AS A WHOLE WITHOUT THE WRITTEN PERMISSION OF CRIMSON AV LLC IS PROHIBITED



**CRIMSON AV LLC.**  
 PRODUCT ORDER NUMBER: **U756**  
 PHONE: **1-866-668-6888**

CRIMSON AV LLC 10513 UNITED PARKWAY SCHILLER PARK, IL 60176	
TITLE:	<b>U756</b>
SIZE B	DWG. NO. <b>U756</b>