

# T46A Tilting Wall Mount With Post-Install Leveling

Universal mount for 26-55" displays

## Best In Class Tilting Mount Solution

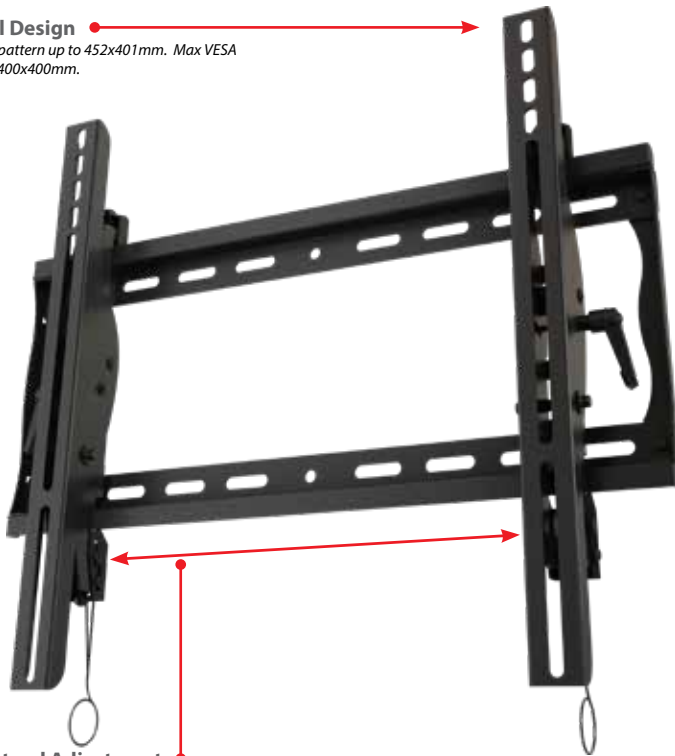
- Post-installation leveling
- Click in place display placement without use of tools
- Optional securing screws locks release latch for additional security
- Universal design
- VESA compatible
- Low-profile, holds display close to wall for a clean look
- Open wall plate allows easy access for wiring
- Lateral shift for perfect placement
- Pre-sorted hardware pack for easy installation to wood studs or concrete surfaces included



| SKU  | Display Size | Max VESA  | Depth         | Max Load |
|------|--------------|-----------|---------------|----------|
| T46A | 26"-55"      | 400x400mm | 2.2" (55.8mm) | 150lb    |

### Universal Design

Fits any hole pattern up to 452x401mm. Max VESA hole pattern 400x400mm.



### Lateral Adjustment

Lateral adjustment functionality for positioning display in the right spot on the wall.



### Tilt for perfect viewing

Pre-tensioned tilt mechanism allows for smooth tilt adjustment of 15° forward and 5° back.



### Pre-Installed Securing Screws

Easy hook and secure installation and pre-assembled securing screw makes installation fast and easy.



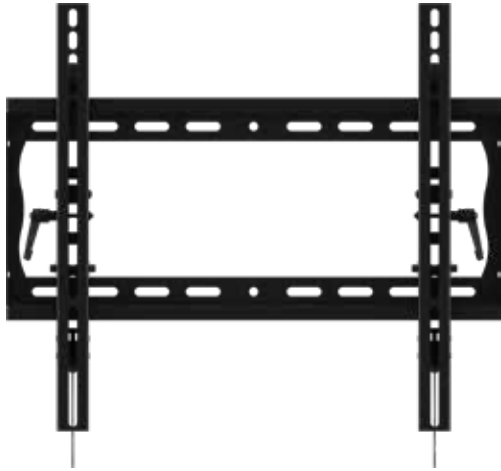
### Mounting Hardware

Complete set of mounting hardware, labeled for ease of use and ready to go.

# T46A Tilting Wall Mount

## Universal mount with post-install leveling

1-866-MOUNT-TV  
www.crimsonav.com



| Attribute            | Value                        |
|----------------------|------------------------------|
| Display size         | 26" - 55"                    |
| Lateral adjustment   | Varies with display          |
| Weight capacity      | 150lb (68kg)                 |
| Max mounting pattern | 452x401mm                    |
| Depth                | 2.2" (55.8mm)                |
| Tilt                 | +15°/-5°                     |
| Construction         | High-grade cold rolled steel |
| Color                | Black                        |
| Warranty             | Limited lifetime             |
| Product Weight       | 5.7lb (2.6kg)                |

Universal tilting wall mount for 26" to 55" displays with post installation leveling. Adjustable tilt wall mount with Universal hole pattern to fit a wide selection of displays. Smooth tilt adjustment of 15° forward and 5° back with a ratcheting knob for a variety of viewing angles. Post-installation leveling feature allows for perfect display positioning even when ceiling is not perfectly level. Click in place display placement requires no tools to secure the display on the wall. Makes a secure installation quick and easy, simply hang the display and turn the pre-assembled securing screw to lock in place. Open wall plate design provides easy access to wiring.

