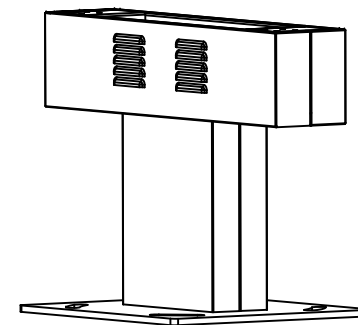
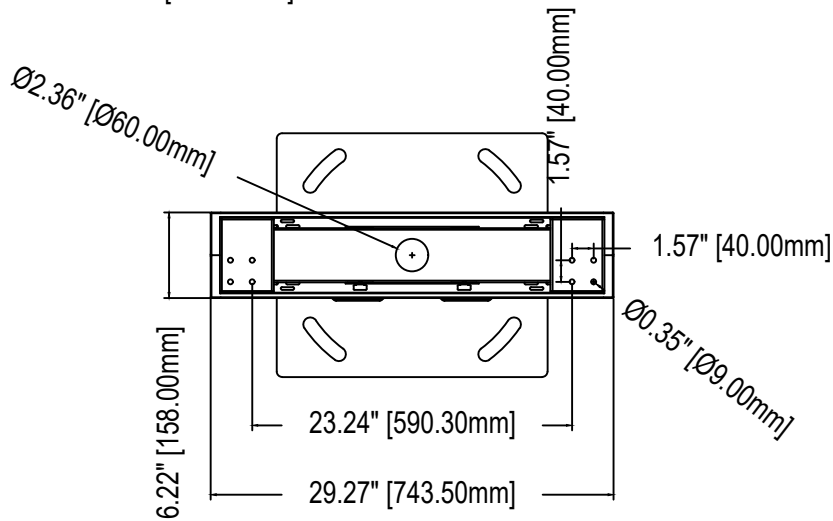
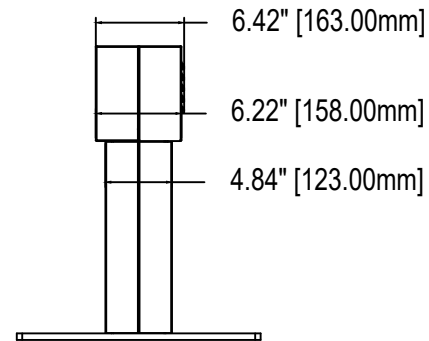
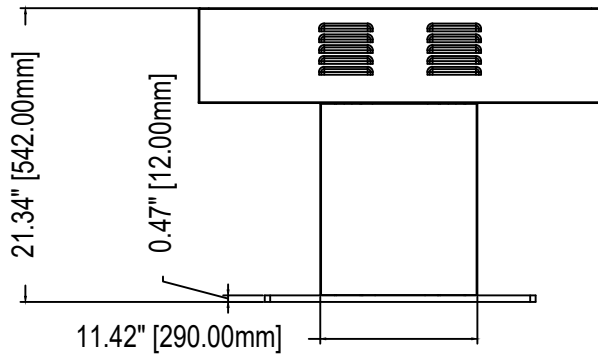


Maximum load rating: lbs



THE INFORMATION CONTAINED IN THIS DRAWING IS THE SOLE PROPERTY OF CRIMSON AV LLC. ANY REPRODUCTION IN PART OR AS A WHOLE WITHOUT THE WRITTEN PERMISSION OF CRIMSON AV LLC IS PROHIBITED



CRIMSON AV LLC.

PRODUCT ORDER NUMBER:
PHONE: **1-866-668-6888**

SOP55EX31

Scale=1:1

Crimson AV LLC. www.crimsonav.com	
TITLE: SOP55EX31	
SIZE	DWG. NO.
	SOP55EX31