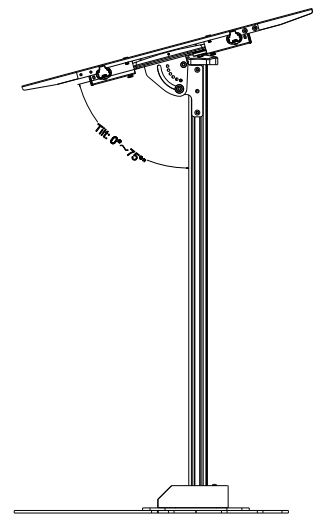
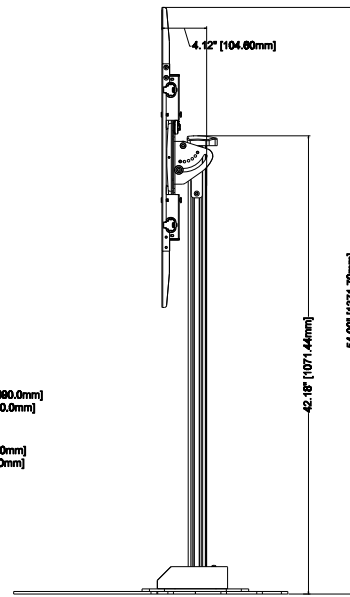
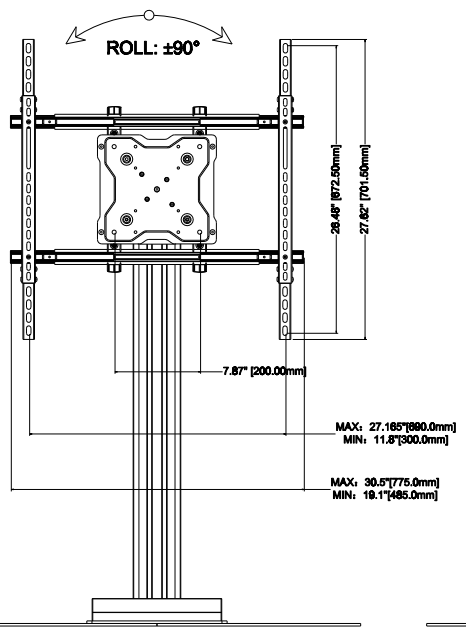
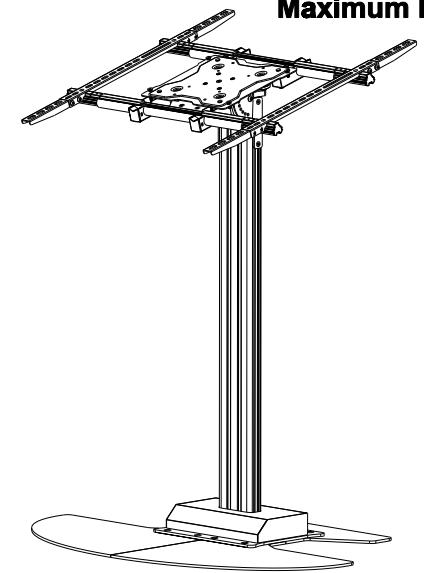
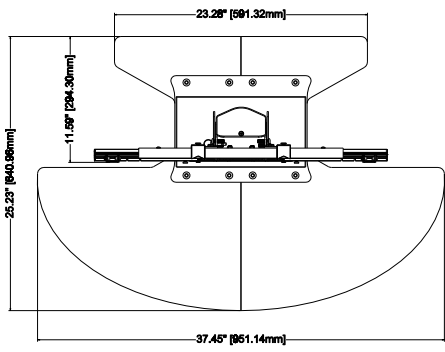


1 2 3 4 5 6 7 8

Maximum load rating: 150 lbs



THE INFORMATION CONTAINED IN THIS DRAWING IS THE SOLE PROPERTY OF CRIMSON AV LLC. ANY REPRODUCTION IN PART OR AS A WHOLE WITHOUT THE WRITTEN PERMISSION OF CRIMSON AV LLC IS PROHIBITED

**CRIMSON AV LLC.**  
**PRODUCT ORDER NUMBER: SK65**  
**PHONE: 1-866-668-6888**

Scale=1:1

Crimson AV LLC. www.crimsonav.com	
TITLE: <b>SK65</b>	
SIZE B	DWG.NO. <b>SK65</b>

1 2 3 4 5 6 7 8