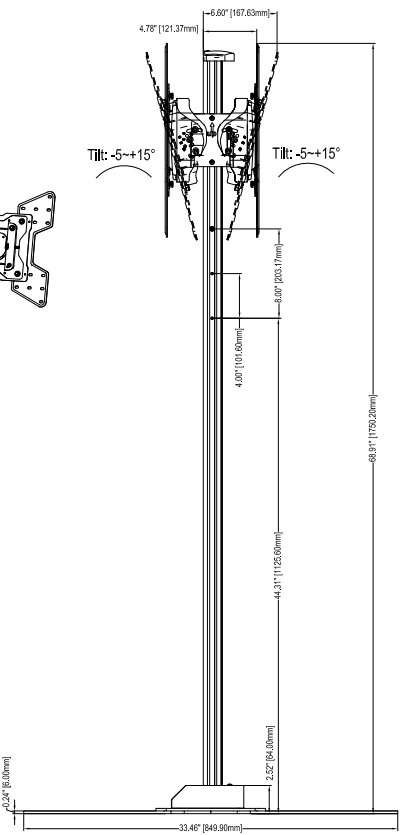
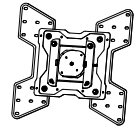
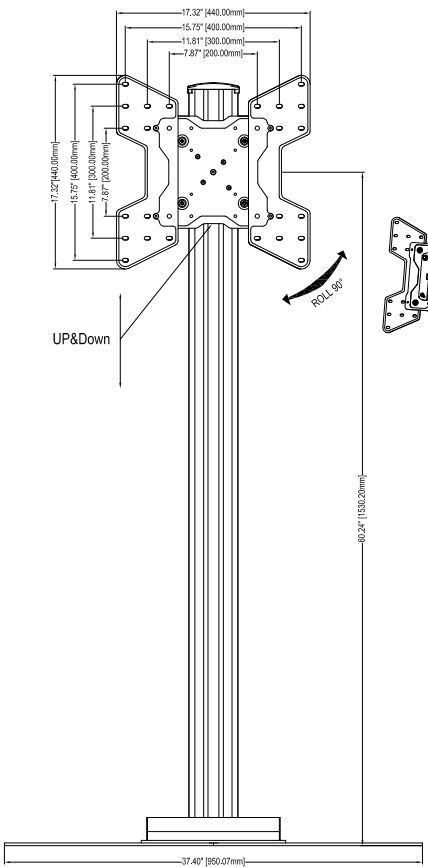
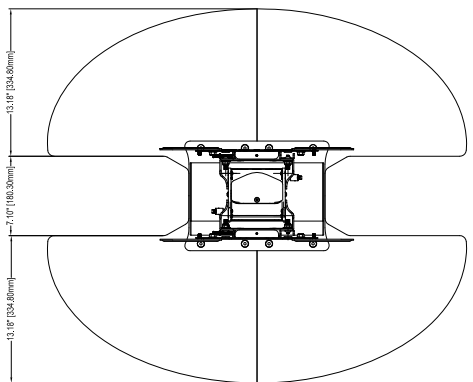


Maximum load rating: 200 lbs

D
C
B
A

D
C
B
A



THE INFORMATION CONTAINED IN THIS DRAWING IS THE SOLE PROPERTY OF CRIMSON AV LLC. ANY REPRODUCTION IN PART OR AS A WHOLE WITHOUT THE WRITTEN PERMISSION OF CRIMSON AV LLC IS PROHIBITED



CRIMSON AV LLC.

PRODUCT ORDER NUMBER:
PHONE: 1-866-668-6888

Scale=1:1

| | |
|--------------------------------------|---------|
| Crimson AV LLC. www.crimsonav.com | |
| TITLE: | S55DVLP |
| SIZE: DWG.NO. | S55DVLP |

1 2 3 4 5 6 7 8