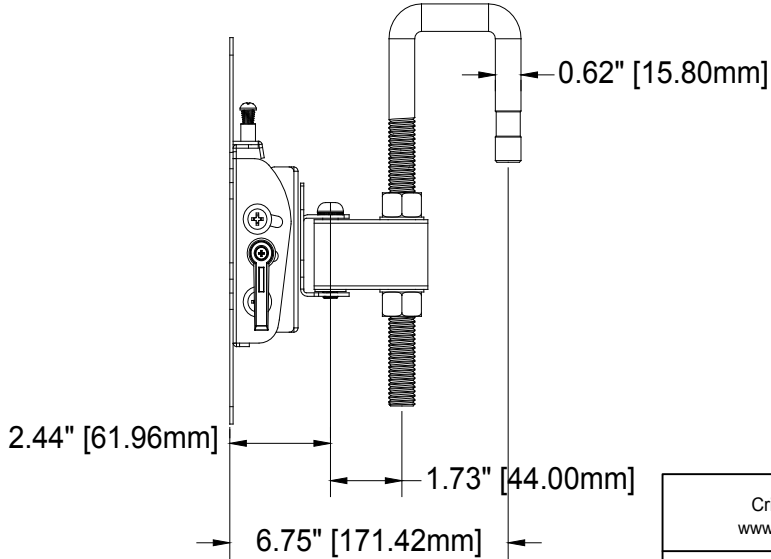
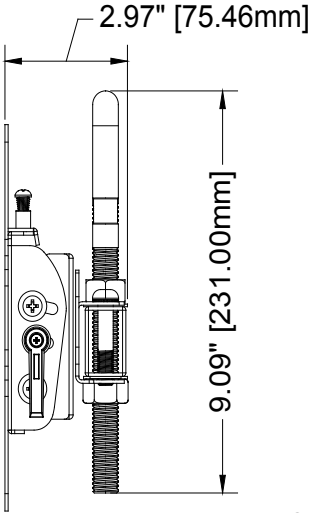
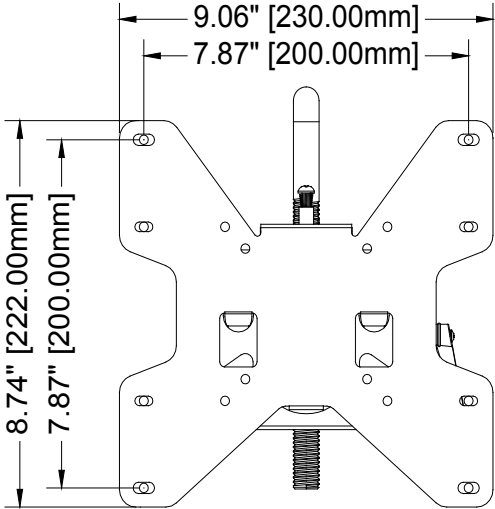


Maximum load rating: 80 lbs

Tilt +15° /-5°

roll ± 2.5

UP & Down  
3.6" [91.5mm]



THE INFORMATION CONTAINED IN THIS DRAWING IS THE SOLE PROPERTY OF CRIMSON AV LLC. ANY REPRODUCTION IN PART OR AS A WHOLE WITHOUT THE WRITTEN PERMISSION OF CRIMSON AV LLC IS PROHIBITED



CRIMSON AV LLC.

PRODUCT ORDER NUMBER: **P37H**  
PHONE: **1-866-668-6888**

Crimson AV LLC. www.crimsonav.com	
TITLE: <b>P37H</b>	
SIZE B	DWG.N.O. <b>P37H</b>