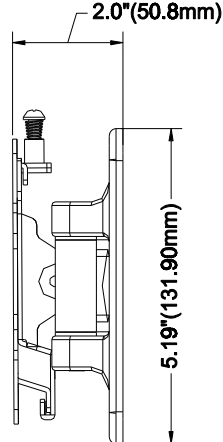
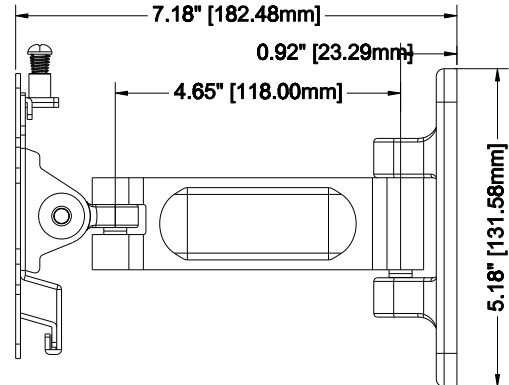
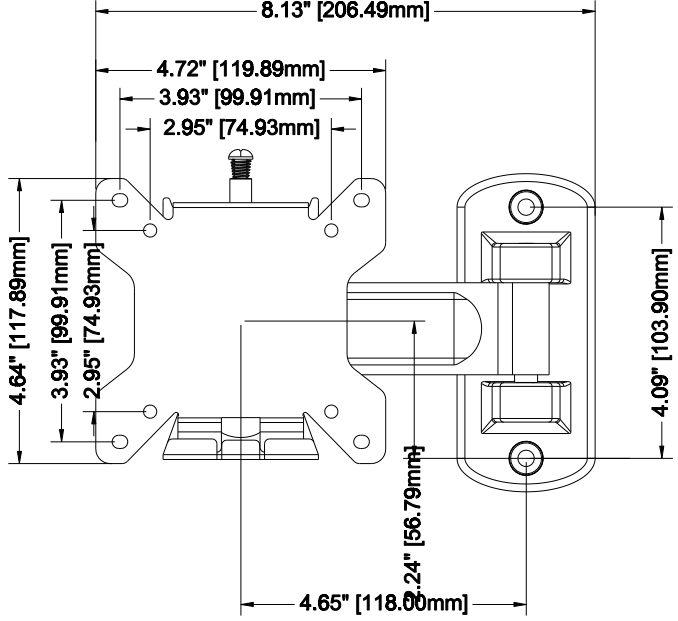


Maximum load rating: 30 lbs

Tilt:
+15°/-15°

200°
180°



THE INFORMATION CONTAINED IN THIS DRAWING IS THE SOLE PROPERTY OF CRIMSON AV LLC. ANY REPRODUCTION IN PART OR AS A WHOLE WITHOUT THE WRITTEN PERMISSION OF CRIMSON AV LLC IS PROHIBITED

CRIMSON AV LLC.
PRODUCT ORDER NUMBER: **P30F**
PHONE: **1-866-668-6888**

Crimson AV LLC. www.crimsonav.com	
TITLE: P30F	
SIZE B	DWG.NO. P30F

Scale=1:1