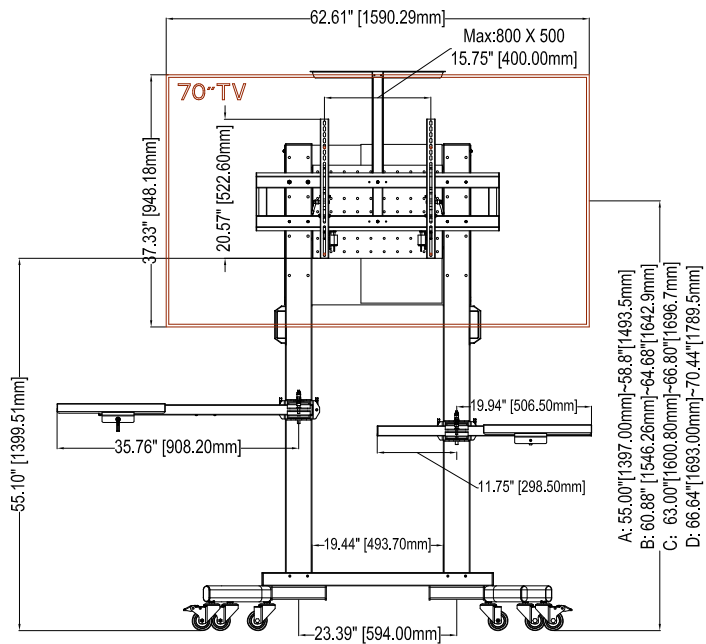
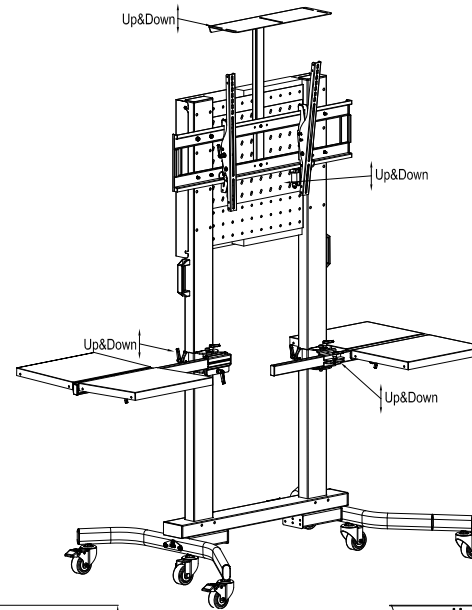
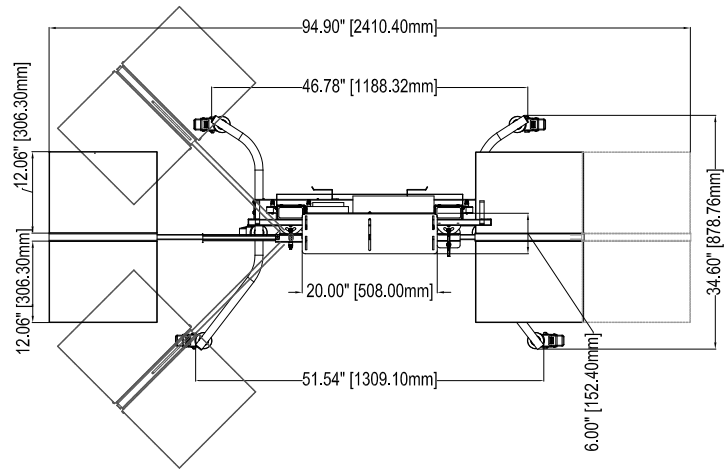
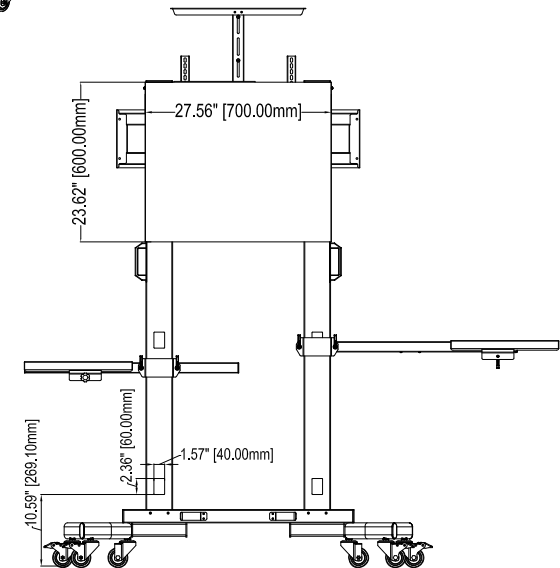
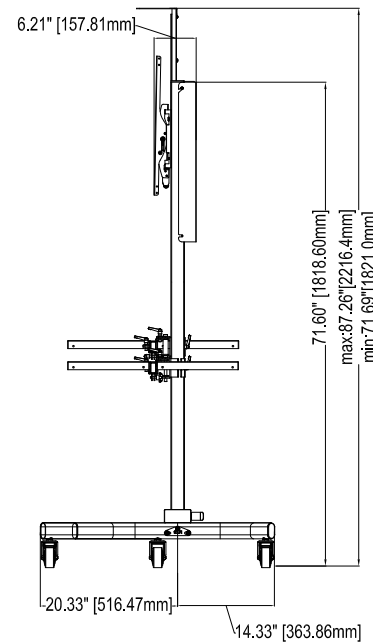


Maximum load rating: 300 lbs



- A: 55.00" [1397.00mm]~58.8" [1493.5mm]
- B: 60.88" [1546.26mm]~64.68" [1642.9mm]
- C: 63.00" [1600.80mm]~66.80" [1696.7mm]
- D: 66.64" [1693.00mm]~70.44" [1789.5mm]



THE INFORMATION CONTAINED IN THIS DRAWING IS THE SOLE PROPERTY OF CRIMSON AV LLC. ANY REPRODUCTION IN PART OR AS A WHOLE WITHOUT THE WRITTEN PERMISSION OF CRIMSON AV LLC IS PROHIBITED



CRIMSON AV LLC.

PRODUCT ORDER NUMBER: M90EDU
PHONE: 1-866-668-6888

Scale=1:1

Crimson AV LLC.
www.crimsonav.com

TITLE: M90EDU

SIZE DWG.NO. M90EDU