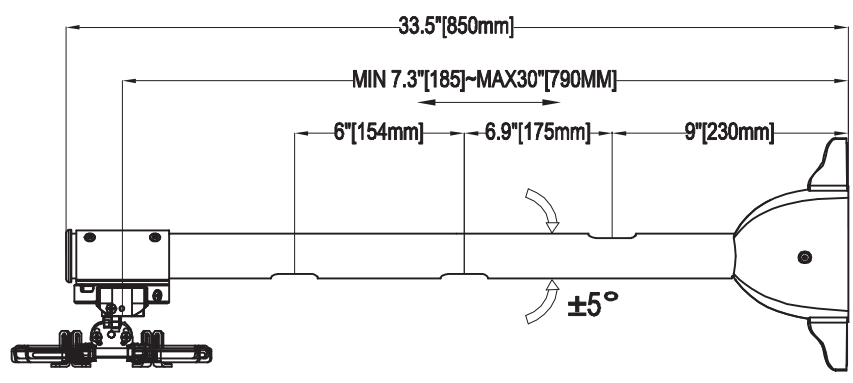
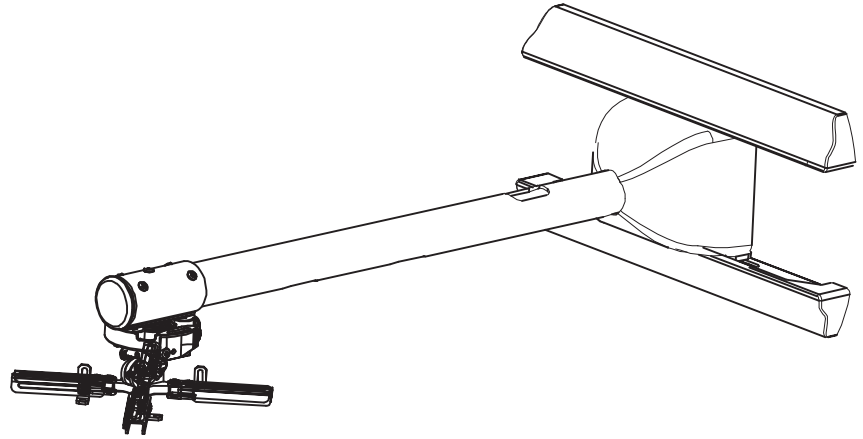
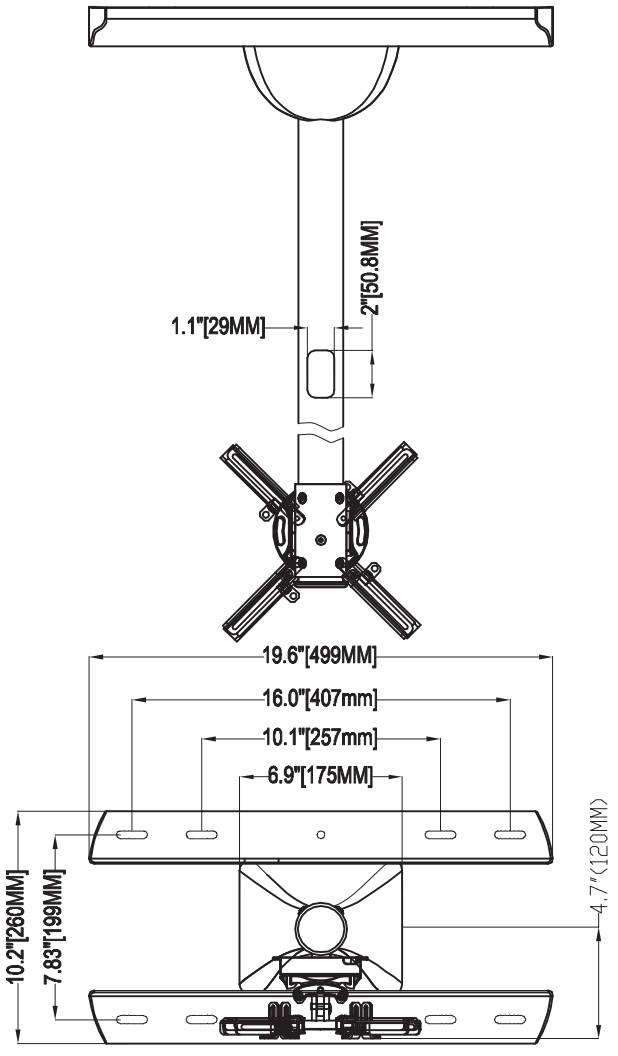


1 2 3 4 5 6 7 8



THE INFORMATION CONTAINED IN THIS DRAWING IS THE SOLE PROPERTY OF CRIMSON AV LLC. ANY REPRODUCTION IN PART OR AS A WHOLE WITHOUT THE WRITTEN PERMISSION OF CRIMSON AV LLC IS PROHIBITED



CRIMSON AV LLC.

PRODUCT ORDER NUMBER: **JSK2F-30**
 PHONE: **1-866-668-6888**

CRIMSON AV LLC 10513 UNITED PARKWAY SCHILLER PARK, IL 60176	
TITLE: JSK2F-30	
SIZE: B	DWG.NO. JSK2F-30

1 2 3 4 5 6 7 8