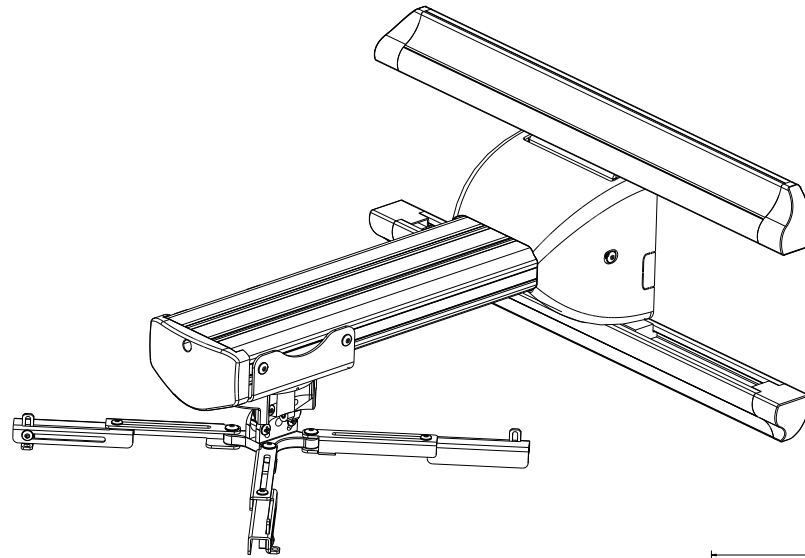
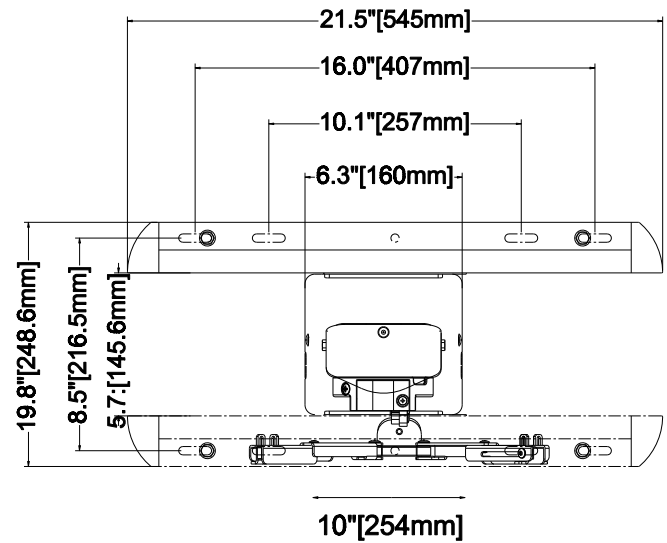
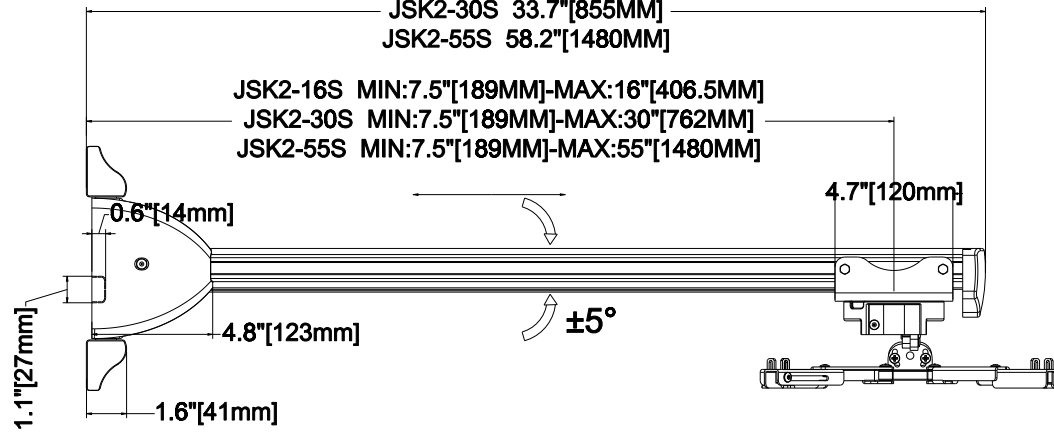


Maximum load rating: 50 lbs



JSK2-16S 19.5"[495MM]
 JSK2-30S 33.7"[855MM]
 JSK2-55S 58.2"[1480MM]

JSK2-16S MIN:7.5"[189MM]-MAX:16"[406.5MM]
 JSK2-30S MIN:7.5"[189MM]-MAX:30"[762MM]
 JSK2-55S MIN:7.5"[189MM]-MAX:55"[1480MM]



THE INFORMATION CONTAINED IN THIS DRAWING IS THE SOLE PROPERTY OF CRIMSON AV LLC. ANY REPRODUCTION IN PART OR AS A WHOLE WITHOUT THE WRITTEN PERMISSION OF CRIMSON AV LLC IS PROHIBITED

CRIMSON AV LLC.

PRODUCT ORDER NUMBER: **JSK2-16S/30S/55S**
 PHONE: **1-866-668-6888**

Scale=1:1

Crimson AV LLC. www.crimsonav.com	
TITLE: JSK2-16S/30S/55S	
SIZE B	DWG. NO. JSK2-16S/30S/55S