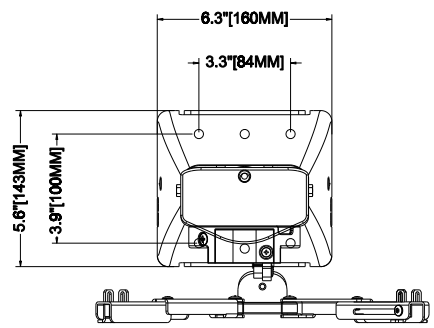
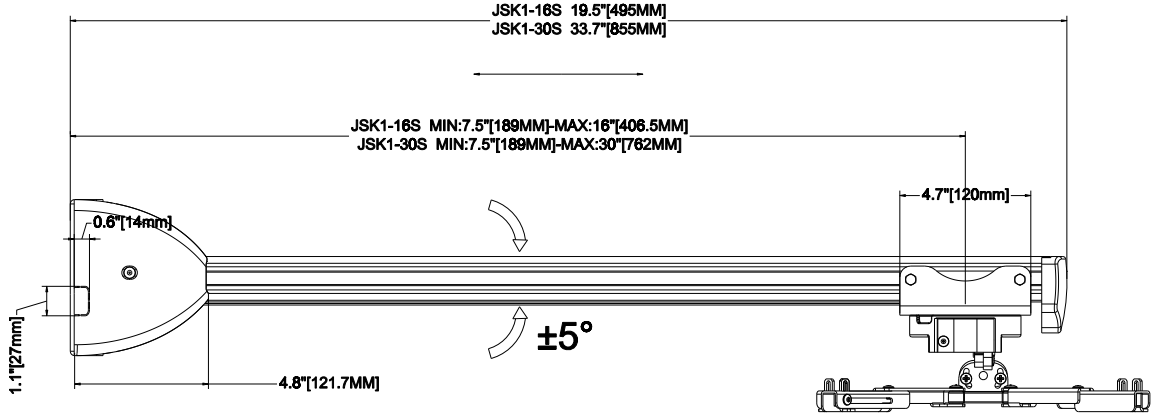
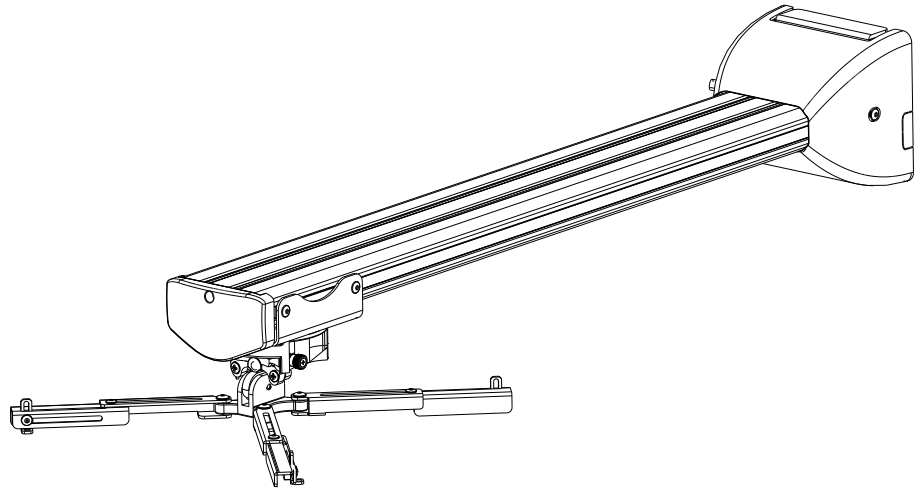


Maximum load rating: 50 lbs



THE INFORMATION CONTAINED IN THIS DRAWING IS THE SOLE PROPERTY OF CRIMSON AV LLC. ANY REPRODUCTION IN PART OR AS A WHOLE WITHOUT THE WRITTEN PERMISSION OF CRIMSON AV LLC IS PROHIBITED

CRIMSON AV LLC.
PRODUCT ORDER NUMBER: **JSK1-16S/30S**
PHONE: **1-866-668-6888**

Crimson AV LLC. www.crimsonav.com	
TITLE:	JSK1-16S/30S
SIZE B	DWG.NO. JSK1-16S/30S

Scale=1:1