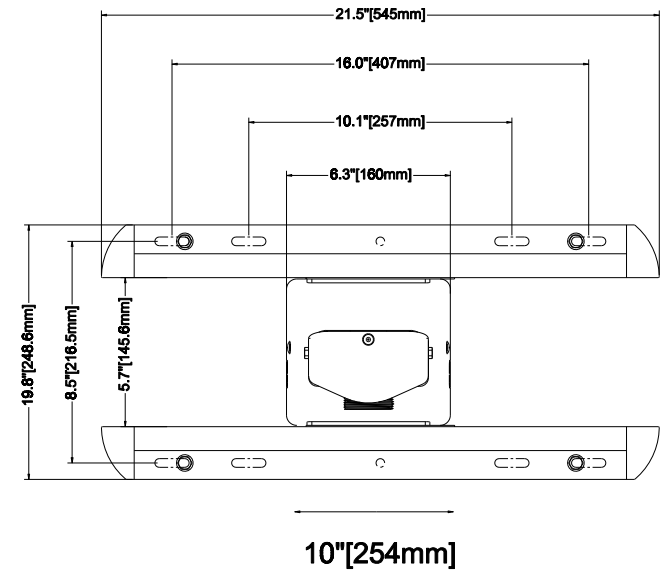
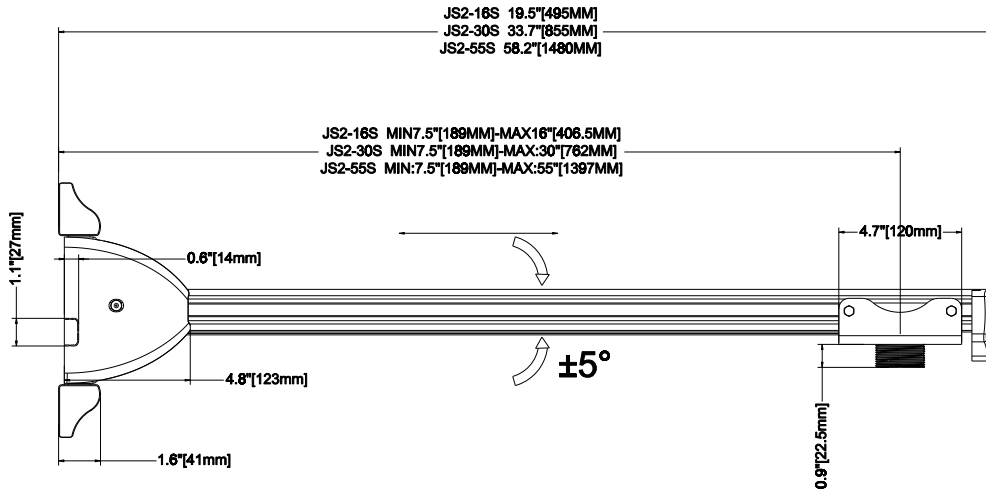
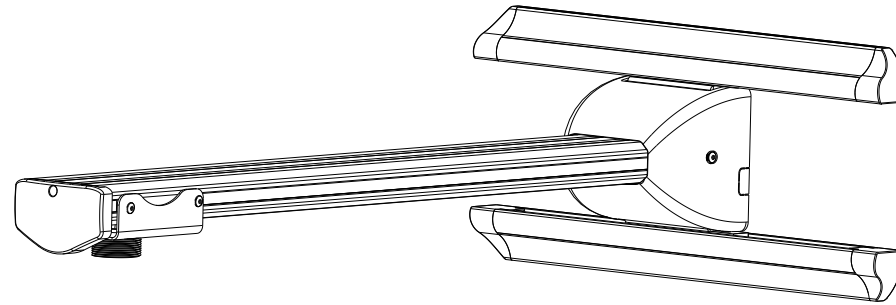


**Maximum load rating: 50 lbs**



THE INFORMATION CONTAINED IN THIS  
 DRAWING IS THE SOLE PROPERTY OF  
 CRIMSON AV LLC. ANY REPRODUC  
 TION IN PART OR AS A WHOLE  
 WITHOUT THE WRITTEN PERMISSION  
 OF CRIMSON AV LLC IS PROHIBITED

**CRIMSON AV LLC.**

PRODUCT ORDER NUMBER: JS2-16S/30S/55S  
 PHONE: 1-866-668-6888

**Scale=1:1**

Crimson AV LLC.  
 www.crimsonav.com

TITLE:  
 JS2-16S/30S/55S

SIZE DWG.NO.  
 B JS2-16S/30S/55S