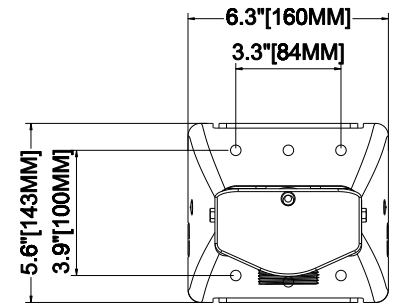
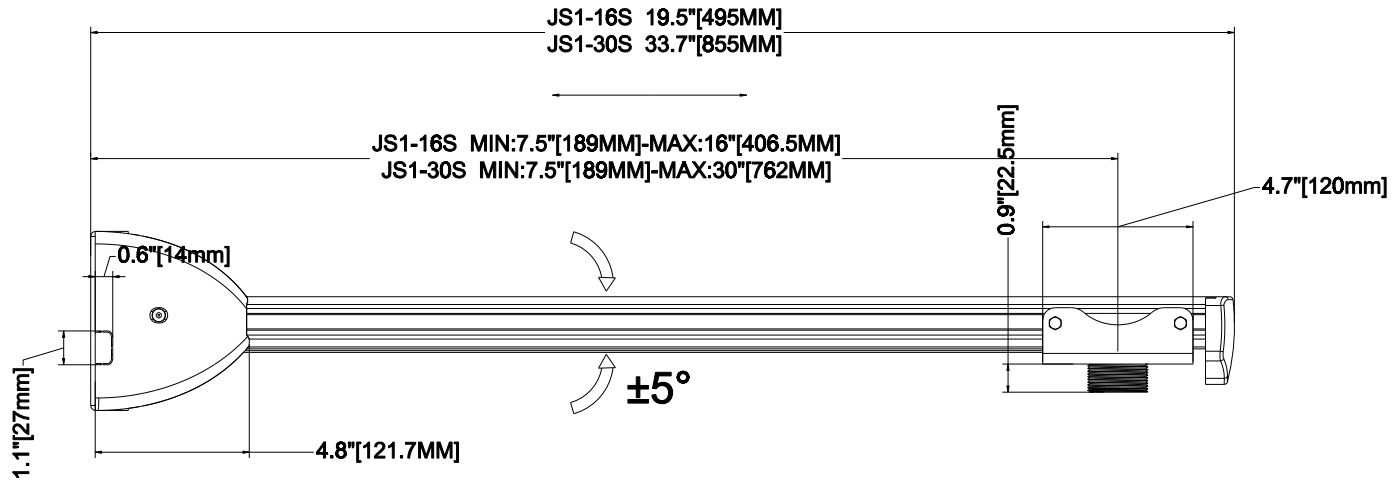
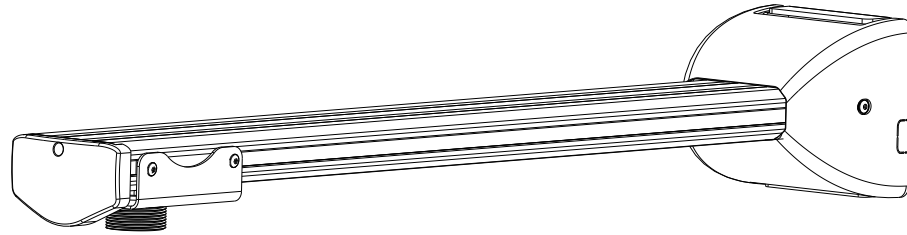


Maximum load rating: 50 lbs



THE INFORMATION CONTAINED IN THIS DRAWING IS THE SOLE PROPERTY OF CRIMSON AV LLC. ANY REPRODUCTION IN PART OR AS A WHOLE WITHOUT THE WRITTEN PERMISSION OF CRIMSON AV LLC IS PROHIBITED

CRIMSON AV LLC.

PRODUCT ORDER NUMBER: JS1-16S/30S
PHONE: 1-866-668-6888

Crimson AV LLC.
www.crimsonav.com

TITLE:
JS1-16S/30S

Scale=1:1

SIZE DWG.NO.
B JS1-16S/30S