

Professional Solutions - Unrivalled Value

Universal ceiling mount for projectors weighing up to 50 lb. Built-in roll, pitch and yaw adjustments make alignment fast and easy. Quick release mechanism allows projector to be easily removed for service. Compatible with all 1.5" NPT threaded pipe.

- **Universal Sizes**
Universal ceiling mount for projectors weighing up to 50 lb.
- **Pre-assembled**
Completely pre-assembled mounting interface for quick installation.
- **Easy Access**
Quick release mechanism allows for easy service of projector.
- **Fully Adjustable**
Roll($\pm 6^\circ$), pitch($\pm 25^\circ$) and yaw(360°) adjustments with standard screwdriver.
- **Compatibility**
Compatible with all 1.5" NPT threaded pipe.
- **Color Choices**
Available in 3 colors: Black, Silver and White.

 50 LB / 22.7 kg

Functional Specifications

Roll: $\pm 6^\circ$	Mounting Surfaces: 1.5" NPT Threaded connection.	Max Mounting Pattern: 430mm (16.92") width 430mm (16.92") height	Load Capacity: 50 LB / 28 KG
Pitch: $\pm 25^\circ$			Warranty: Limited 10 Years
Yaw: 360°			

Fully Adjustable
Roll($\pm 6^\circ$), pitch($\pm 25^\circ$) and yaw(360°) adjustments with standard screwdriver.

Universal Design
Adjustable arm length to fit most projectors weighing 50lb or less.

Easy Access
Quick release mechanism allows for easy service of projector.

Mounting Surface
Connect using Standard 1.5" NPT threaded connection or attach using 4 hardware slots for optimal compatibility.

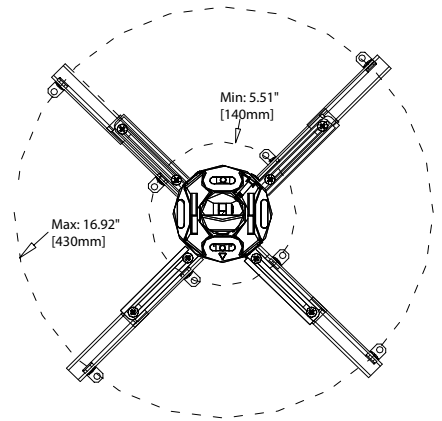
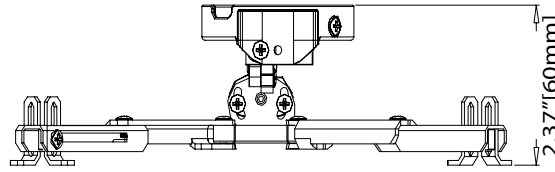
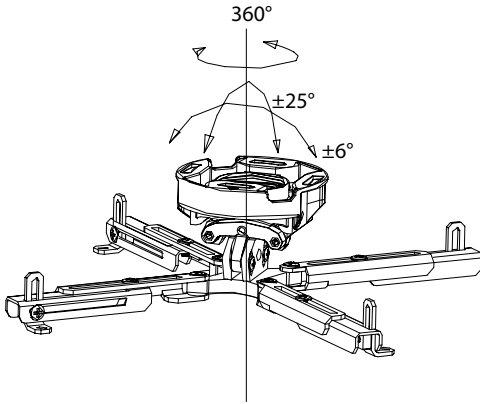
Adjustability
Perfectly align your projector using a screwdriver to adjust roll($\pm 6^\circ$), pitch($\pm 25^\circ$) and yaw(360°).



Universal Projector Mount

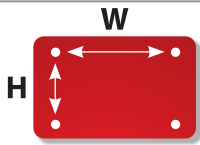
Fits most projectors weighing 50lb or less

JR (BLACK)
JRS (SILVER)
JRW (WHITE)



Product Specifications				Package Specifications			
PRODUCT WEIGHT	LOAD CAPACITY	COLORS	FINISH	PACKAGE SIZE (WxHxD)	SHIP WEIGHT	UPC CODE	PACKAGE CONTENTS
2.2 lb (1 Kg)	50 lb (23 Kg)	Black Silver White	Scratch resistant powder coating	11.4" x 4.5" x 3.5" (290 x 114 x 89 mm)	2.8 lb (1.3kg)	JR (Black) 0815885010910 JRS (Silver) 0815885010927	Projector mount, mounting hardware, product manual.

Mounting Interface



Max Mounting Pattern
430mm (W) x 430mm (H)

W 140mm
X 430mm
H 140mm
X 430mm

Accessories

Suspended Ceiling Adapters



CAS1W

For mounting above a false ceiling tile. 13" of lateral shift for fast project adjustment. Compatible with all 1.5" NPT threaded pipe.



CAS2W

Replaces a standard 2' x 2' grid. 13" of lateral shift for fast project adjustment. Compatible with all 1.5" NPT threaded pipe.

Structural Ceiling Adapters



CA1

Wood Single Joist / Concrete



CA2

Wood 16" Double Joist / Concrete



CA4

General Purpose 4x4"



CA8

General Purpose 8x8"

Truss Ceiling Adapter



CAT3

Mounts to round, square and rectangular trusses from .75" up to 3" in diameter and is compatible with all 1.5" NPT threaded pipe.

Vaulted Ceiling Adapter



CAV1

For installation on cathedral or vaulted ceilings. Adjusts up to 94° and is compatible with all 1.5" NPT threaded pipe.

Unistrut Ceiling Adapters



CAU1

Bracket and hardware for mounting to single 1-5/8"x1-5/8" Unistrut.



CAU4

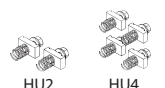
Bracket and hardware (4x4) for mounting to standard 1-5/8"x1-5/8" dual channels spaced on 2.25" centers.



CAU8

Bracket and hardware (8x8) for mounting to standard 1-5/8"x1-5/8" dual channels spaced on 6" centers.

Unistrut Bolts



HU2 (2 Bolts) HU4 (4 Bolts)

3/8" bolts and spring nuts for mounting ceiling brackets to standard 1-5/8"x1-5/8".

Fixed Columns

Static ceiling columns for use with all ceiling adapters using standard 1.5" NPT interfaces. Connectors (sold separately) give ability to extend drop lengths by connecting two or more columns. Cable management with a completely open interior.



BLACK	WHITE	DROP
E06	E06W	6"
E1	E1W	12"
E018		18"
E2		2'
E3		3'
E4		4'
E5		5'
E6		6'
E7		7'
E8		8'
E9		9'
E10		10'

Adjustable Columns

Adjustable extension columns designed for use with all ceiling adapters using standard 1.5" NPT interfaces. Column allows for flexibility with quick 1" incremental drop length adjustments and cable management with a completely open interior. Connectors (sold separately) give ability to extend drop lengths by connecting two or more columns.



BLACK	WHITE	DROP
EA0611	EA0611W	6"-11"
EA01218		12"-18"
EA01824		18"-24"
EA23		2'-3'
EA24		2'-4'
EA35		3'-5'
EA46		4'-6'
EA57		5'-7'
EA68		6'-8'
EA79		7'-9'
EA810		8'-10'
EA911		9'-11'
EA1012		10'-12'

Visit crimsonav.com to see the full line of vidamounts LCD/plasma, projector and TV/monitor mounts. © 2010 Crimson AV LLC. All rights reserved.