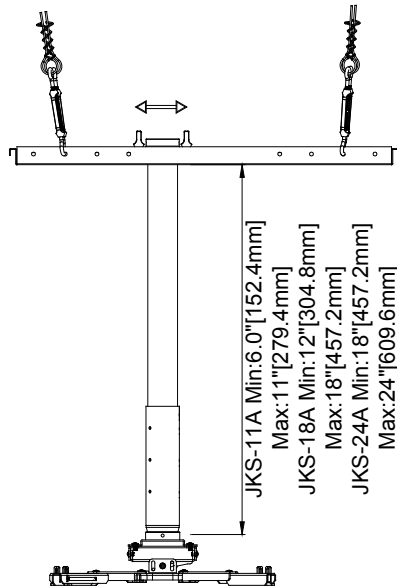
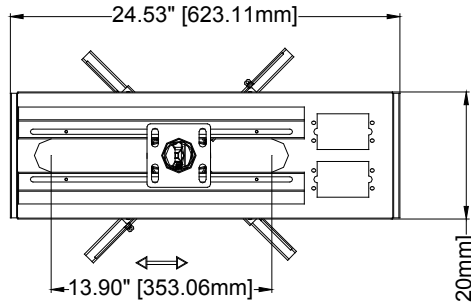
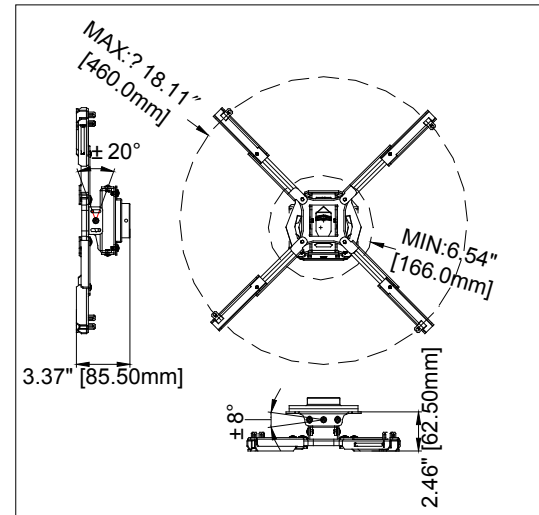
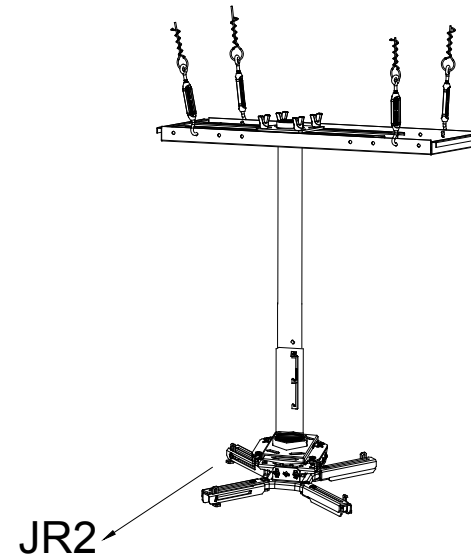
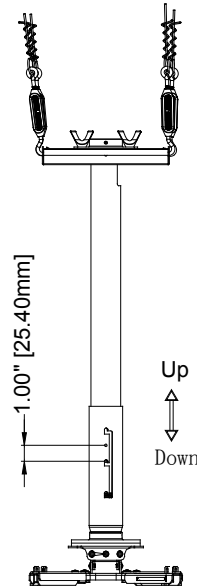


Maximum load rating: 60 lbs



JKS-11A Min: 6.0" [152.4mm]  
Max: 11" [279.4mm]  
JKS-18A Min: 12" [304.8mm]  
Max: 18" [457.2mm]  
JKS-24A Min: 18" [457.2mm]  
Max: 24" [609.6mm]



THE INFORMATION CONTAINED IN THIS DRAWING IS THE SOLE PROPERTY OF CRIMSON AV LLC. ANY REPRODUCTION IN PART OR AS A WHOLE WITHOUT THE WRITTEN PERMISSION OF CRIMSON AV LLC IS PROHIBITED



CRIMSON AV LLC.

PRODUCT ORDER NUMBER: JKS2-11A/18A/24A  
PHONE: 1-866-668-6888

Scale=1:1

Crimson AV LLC. www.crimsonav.com	
TITLE: <b>JKS2-11A/18A/24A</b>	
SIZE B	DWG.N.O. <b>JKS2-11A/18A/24A</b>