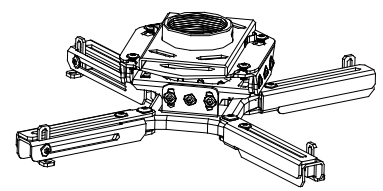
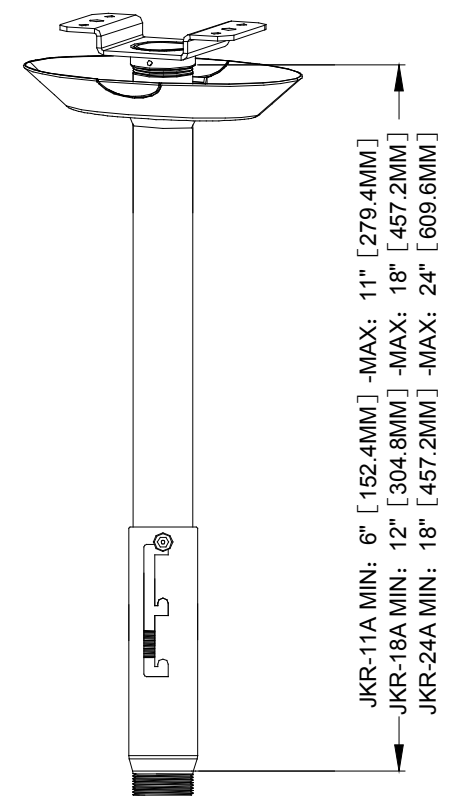
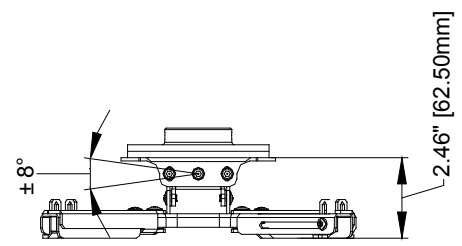
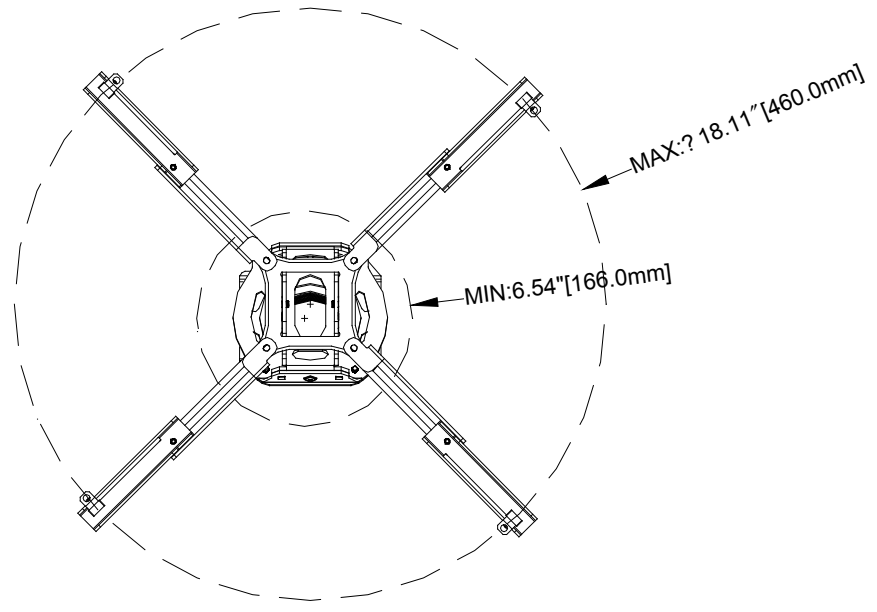
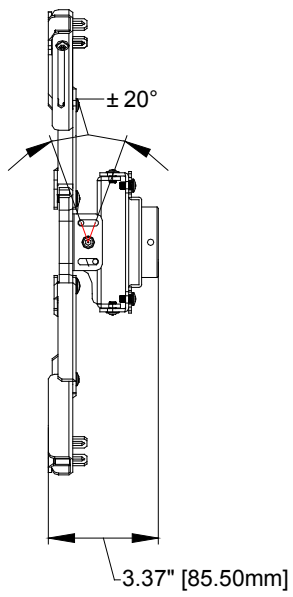


1 2 3 4 5 6 7 8

Maximum load rating: 70 lbs



THE INFORMATION CONTAINED IN THIS DRAWING IS THE SOLE PROPERTY OF CRIMSON AV LLC. ANY REPRODUCTION IN PART OR AS A WHOLE WITHOUT THE WRITTEN PERMISSION OF CRIMSON AV LLC IS PROHIBITED



CRIMSON AV LLC.

PRODUCT ORDER NUMBER: JKR2-11A/18A/24A
PHONE: 1-866-668-6888

Scale=1:1

Crimson AV LLC. www.crimsonav.com	
TITLE: JKR2-11A/18A/24A	
SIZE B	DWG.N.O. JKR2-11A/18A/24A

1 2 3 4 5 6 7 8

D
C
B
A

D
C
B
A