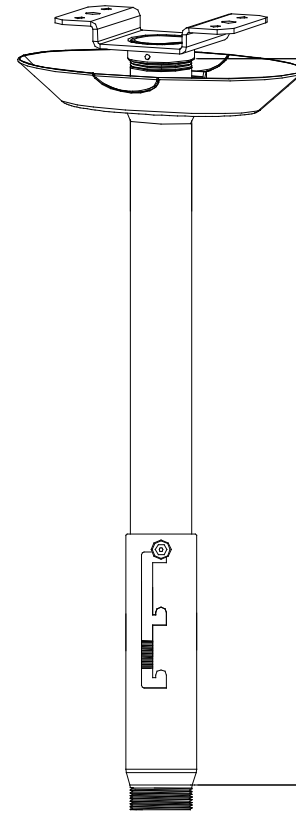
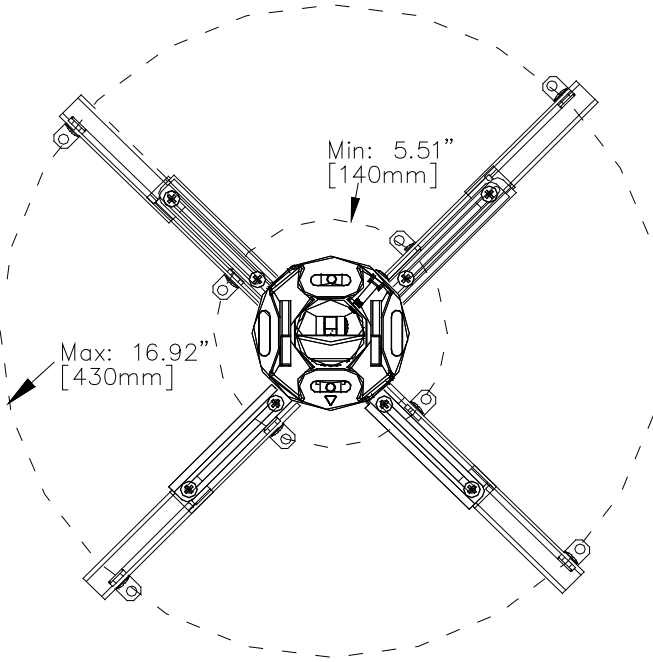
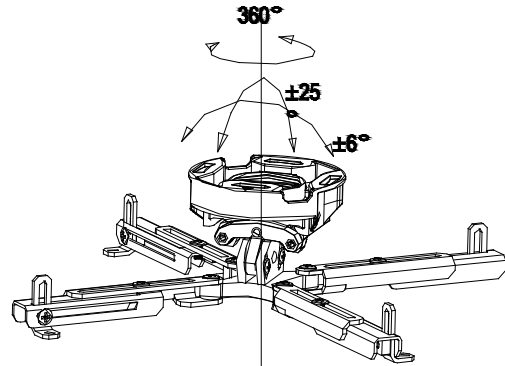
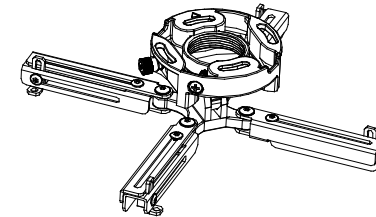
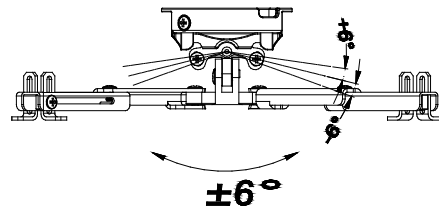
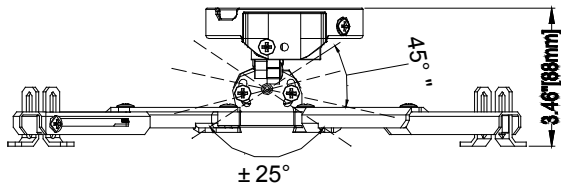


Maximum load rating: 50 lbs



JKR-11A MIN: 6" [152.4MM] -MAX: 11" [279.4MM]
JKR-18A MIN: 12" [304.8MM] -MAX: 18" [457.2MM]
JKR-24A MIN: 18" [457.2MM] -MAX: 24" [609.6MM]



THE INFORMATION CONTAINED IN THIS DRAWING IS THE SOLE PROPERTY OF CRIMSON AV LLC. ANY REPRODUCTION IN PART OR AS A WHOLE WITHOUT THE WRITTEN PERMISSION OF CRIMSON AV LLC IS PROHIBITED



CRIMSON AV LLC.

PRODUCT ORDER NUMBER: JKR-11A/18A/24A
PHONE: 1-866-668-6888

Scale=1:1

Crimson AV LLC.
www.crimsonav.com

TITLE:
JKR-11A/18A/24A

SIZE DWG.N.O.
B JKR-11A/18A/24A