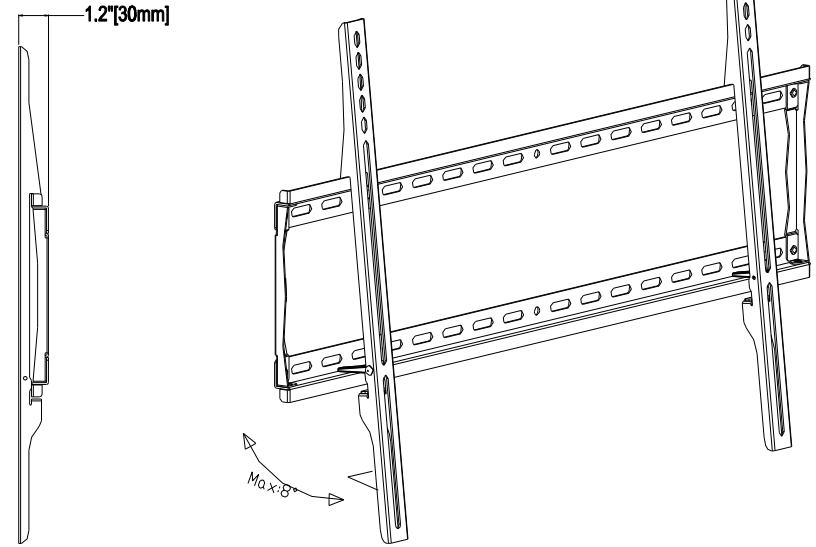
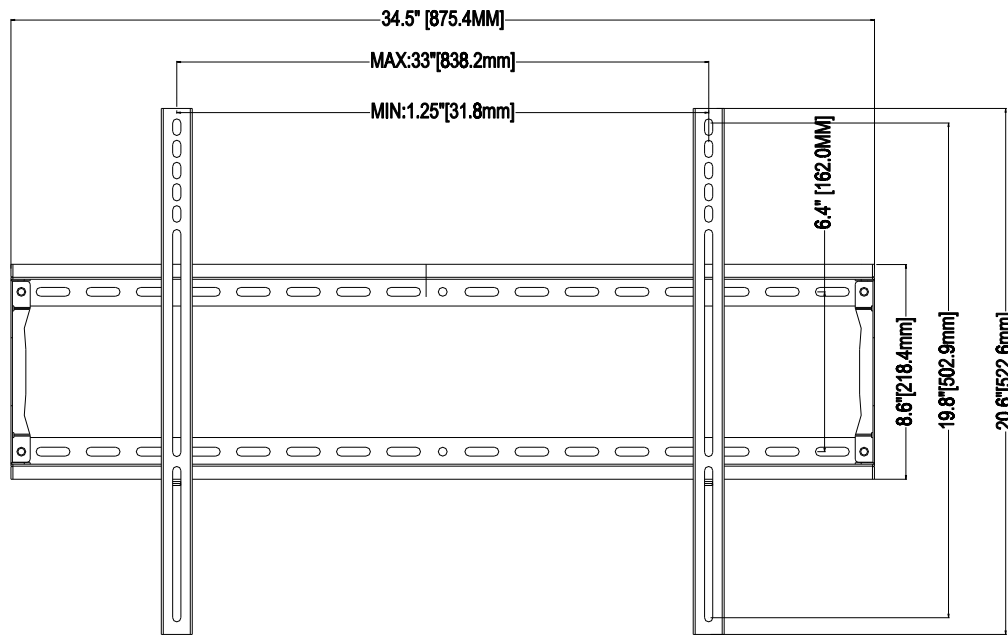


Maximum load rating: 200 lbs



THE INFORMATION CONTAINED IN THIS DRAWING IS THE SOLE PROPERTY OF CRIMSON AV LLC. ANY REPRODUCTION IN PART OR AS A WHOLE WITHOUT THE WRITTEN PERMISSION OF CRIMSON AV LLC IS PROHIBITED

**CRIMSON AV LLC.**

PRODUCT ORDER NUMBER: **F63**

PHONE: **1-866-668-6888**

Crimson AV LLC.  
www.crimsonav.com

TITLE: **F63**

SIZE DWG.NO. **F63**

Scale=1:1