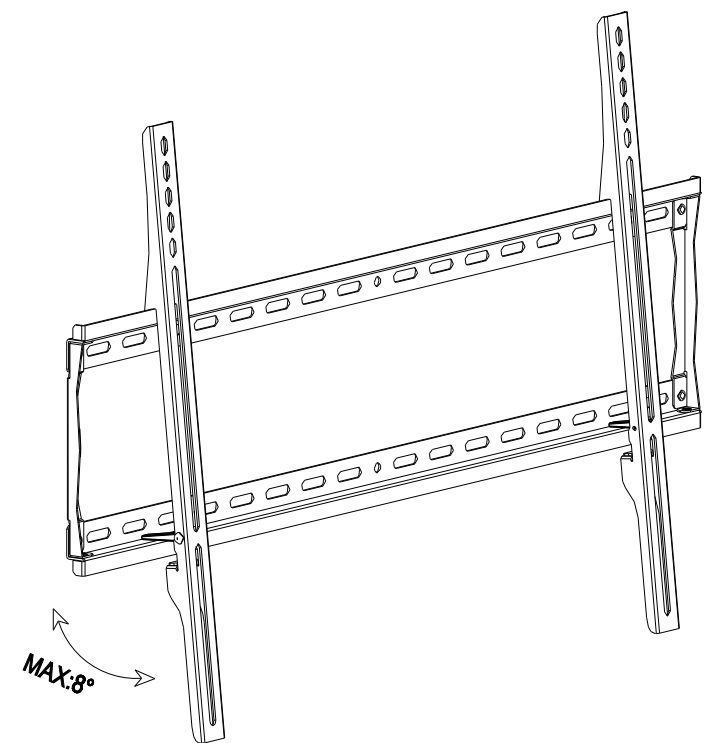
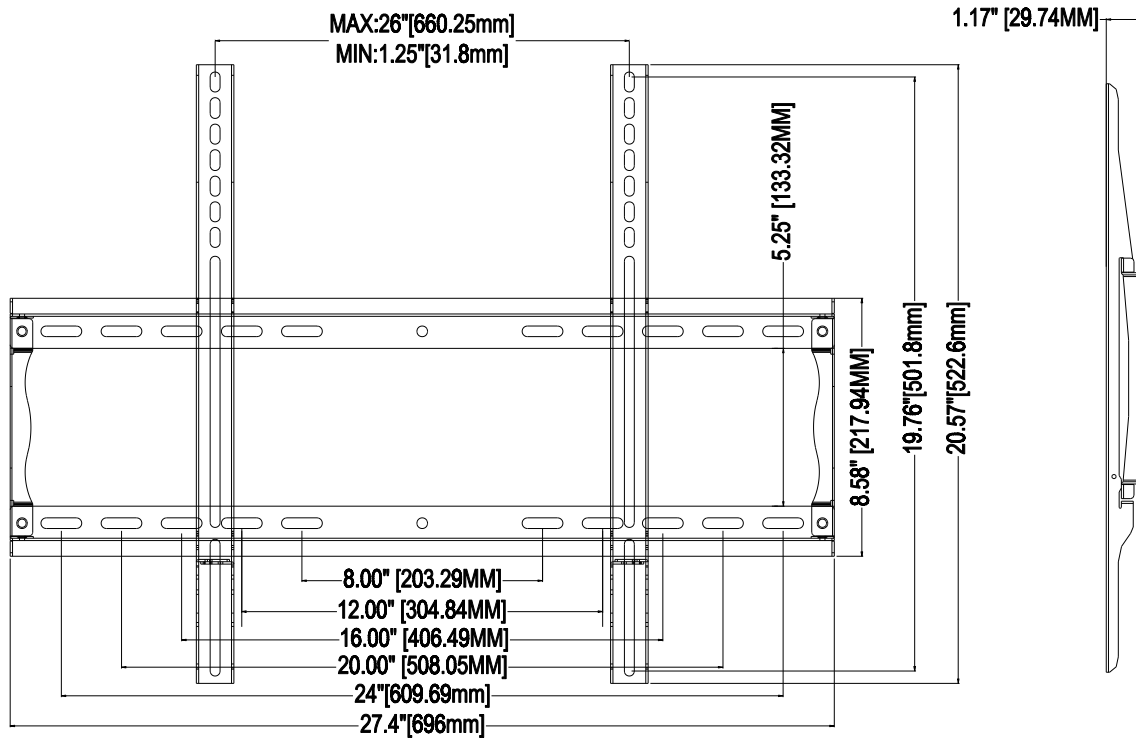


Maximum load rating: 200 lbs



THE INFORMATION CONTAINED IN THIS DRAWING IS THE SOLE PROPERTY OF CRIMSON AV LLC. ANY REPRODUCTION IN PART OR AS A WHOLE WITHOUT THE WRITTEN PERMISSION OF CRIMSON AV LLC IS PROHIBITED

**CRIMSON AV LLC.**

PRODUCT ORDER NUMBER: **F55**  
PHONE: **1-866-668-6888**

Crimson AV LLC.  
[www.crimsonav.com](http://www.crimsonav.com)

TITLE: **F55**

SIZE **B** DWG.NO. **F55**

Scale=1:1