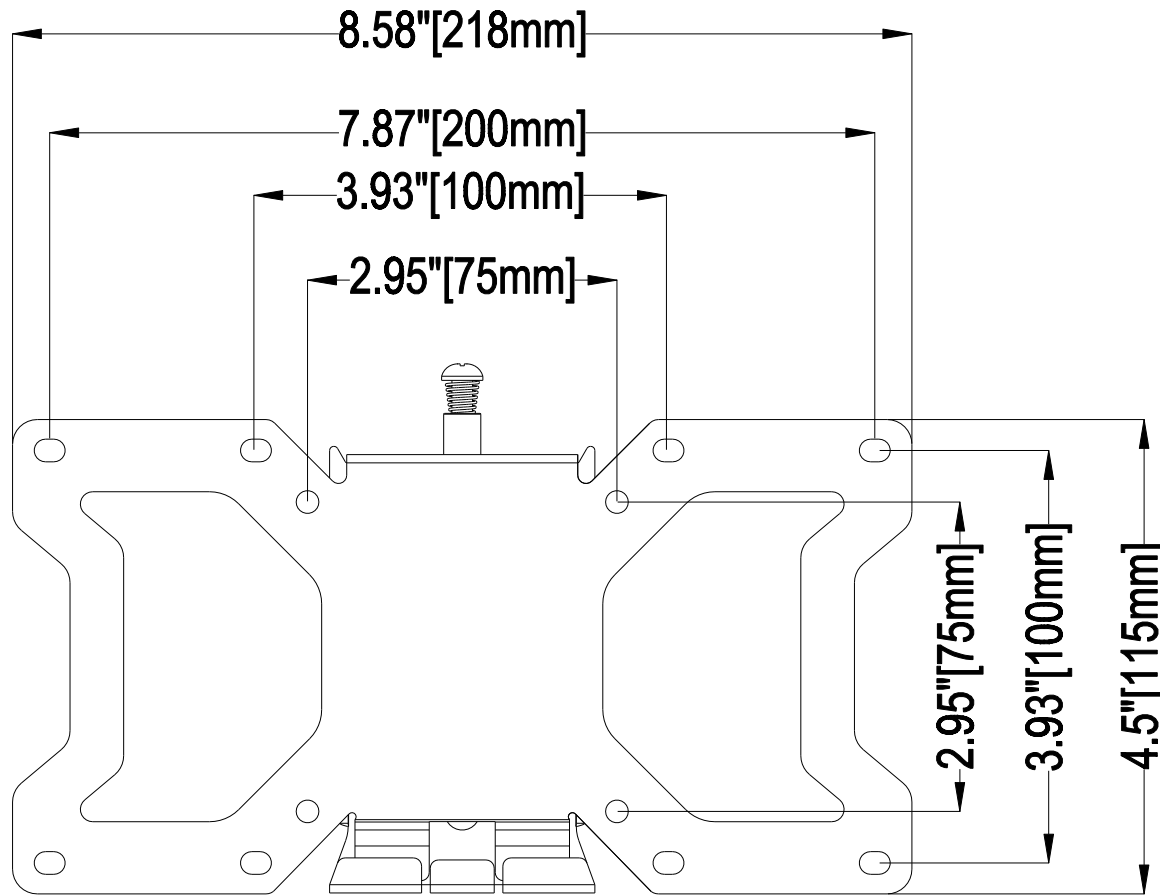


Maximum load rating: 40 lbs



0.75" [19mm]

THE INFORMATION CONTAINED IN THIS DRAWING IS THE SOLE PROPERTY OF CRIMSON AV LLC. ANY REPRODUCTION IN PART OR AS A WHOLE WITHOUT THE WRITTEN PERMISSION OF CRIMSON AV LLC IS PROHIBITED

**CRIMSON AV LLC.**

PRODUCT ORDER NUMBER: **F32**  
PHONE: **1-866-668-6888**

Scale=1:1

Crimson AV LLC. www.crimsonav.com	
TITLE:	<b>F32</b>
SIZE B	DWG.NO. <b>F32</b>