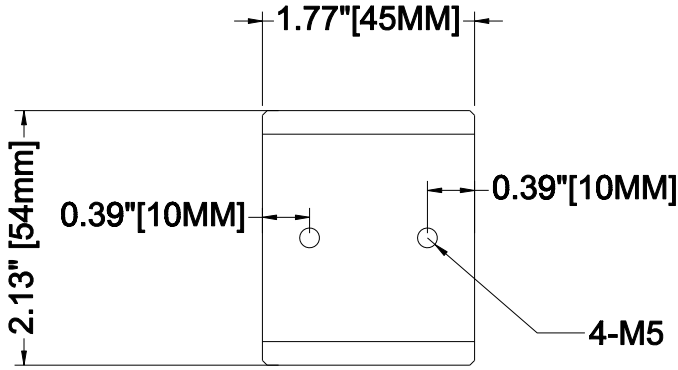
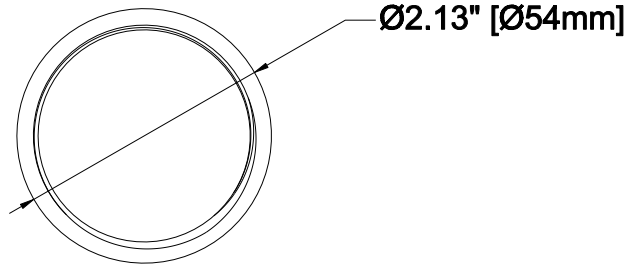
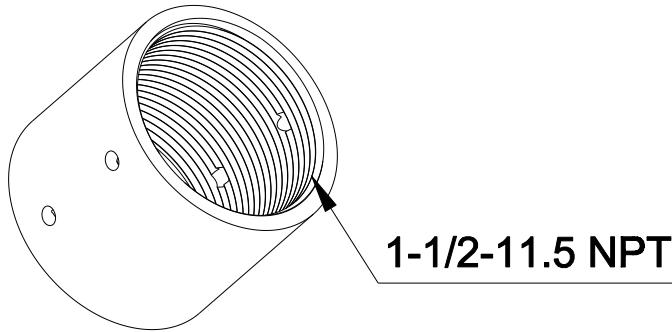


1 2 3 4 5 6 7 8

**Maximum load rating: 500 lbs**



D

D

C

C

B

B

A

A

THE INFORMATION CONTAINED IN THIS DRAWING IS THE SOLE PROPERTY OF CRIMSON AV LLC. ANY REPRODUCTION IN PART OR AS A WHOLE WITHOUT THE WRITTEN PERMISSION OF CRIMSON AV LLC IS PROHIBITED

**CRIMSON AV LLC.**

**PRODUCT ORDER NUMBER: EC1**

**PHONE: 1-866-668-6888**

**Scale=1:1**

Crimson AV LLC. www.crimsonav.com	
TITLE: <b>EC1</b>	
SIZE <b>B</b>	DWG.NO. <b>EC1</b>

1 2 3 4 5 6 7 8