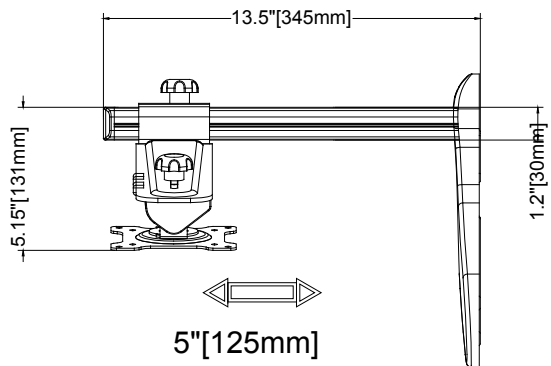
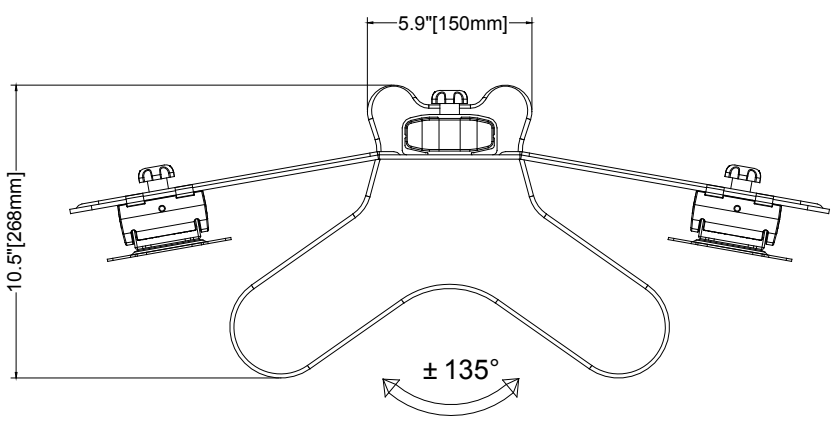


Maximum load rating: 30 lbs



THE INFORMATION CONTAINED IN THIS DRAWING IS THE SOLE PROPERTY OF CRIMSON AV LLC. ANY REPRODUCTION IN PART OR AS A WHOLE WITHOUT THE WRITTEN PERMISSION OF CRIMSON AV LLC IS PROHIBITED



CRIMSON AV LLC.

PRODUCT ORDER NUMBER: **DSH2**
PHONE: **1-866-668-6888**

Scale=1:1

| | |
|--------------------------------------|-----------------------|
| Crimson AV LLC. www.crimsonav.com | |
| TITLE: DSH2 | |
| SIZE: B | DWG.N.O.: DSH2 |