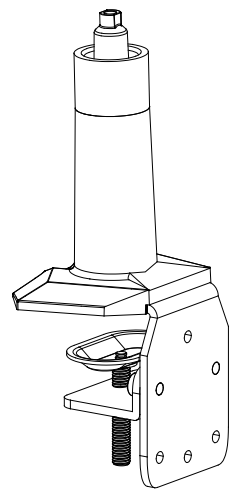
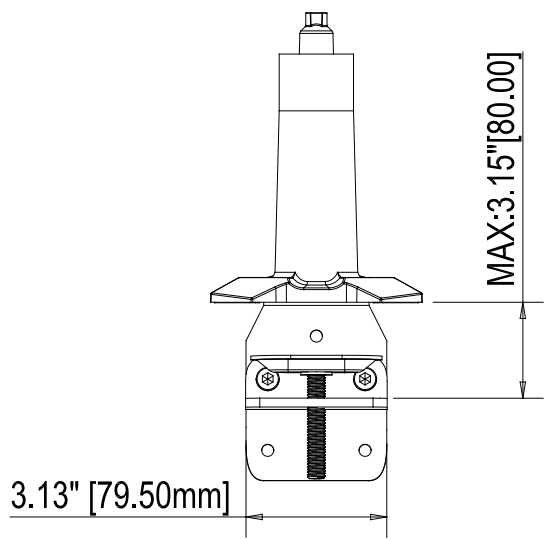
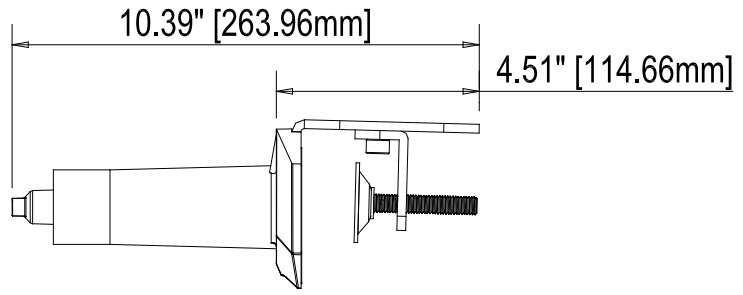
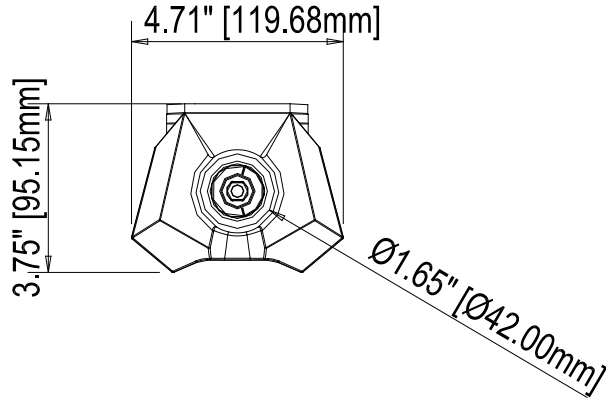


Maximum load rating: 6-30 lbs



THE INFORMATION CONTAINED IN THIS DRAWING IS THE SOLE PROPERTY OF CRIMSON AV LLC. ANY REPRODUCTION IN PART OR AS A WHOLE WITHOUT THE WRITTEN PERMISSION OF CRIMSON AV LLC IS PROHIBITED



**CRIMSON AV LLC.**  
PRODUCT ORDER NUMBER: **DSAC**  
PHONE: **1-866-668-6888**

Scale=1:1

Crimson AV LLC. www.crimsonav.com	
TITLE: <b>DSAC</b>	
SIZE B	DWG.N.O. <b>DSAC</b>