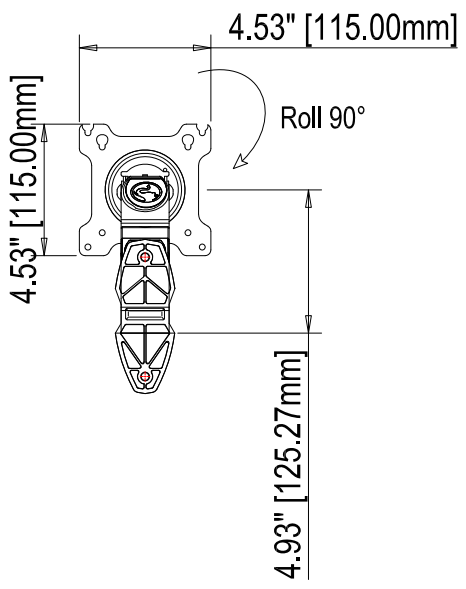
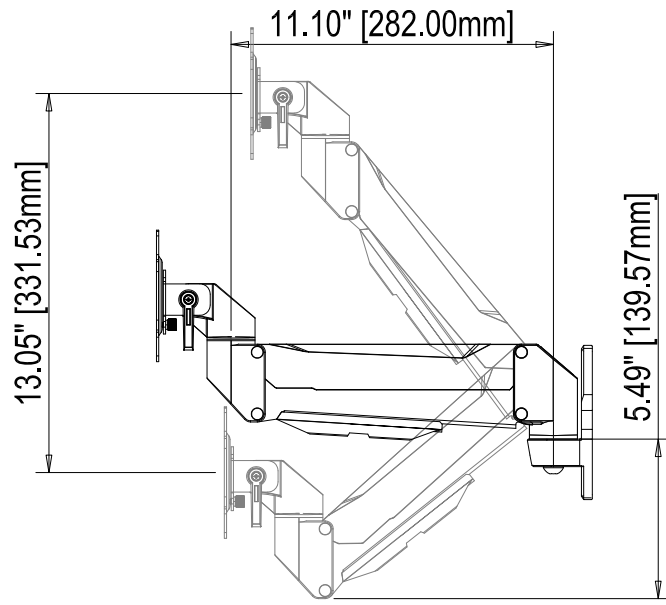
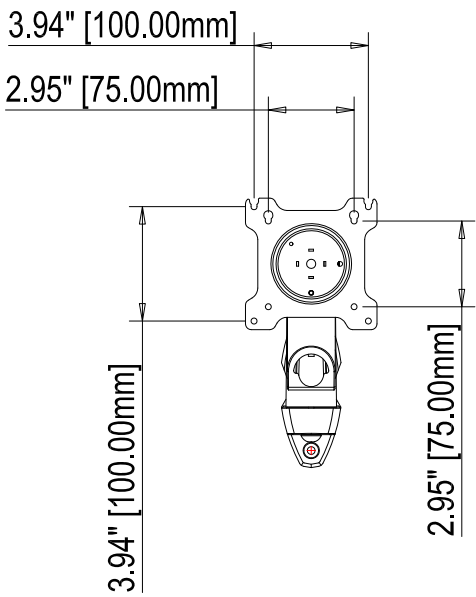
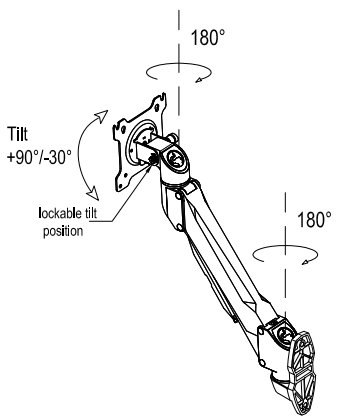
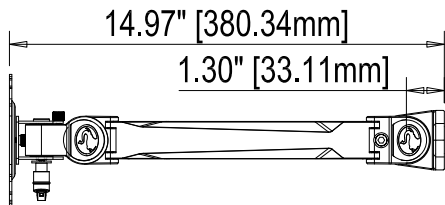


Maximum load rating: 6-30 lbs



THE INFORMATION CONTAINED IN THIS DRAWING IS THE SOLE PROPERTY OF CRIMSON AV LLC. ANY REPRODUCTION IN PART OR AS A WHOLE WITHOUT THE WRITTEN PERMISSION OF CRIMSON AV LLC IS PROHIBITED



CRIMSON AV LLC.

PRODUCT ORDER NUMBER: DSA11W
PHONE: 1-866-668-6888

Crimson AV LLC. www.crimsonav.com	
TITLE:	DSA11W
SIZE DWG.NO.	DSA11W

Scale=1:1

DSA11W