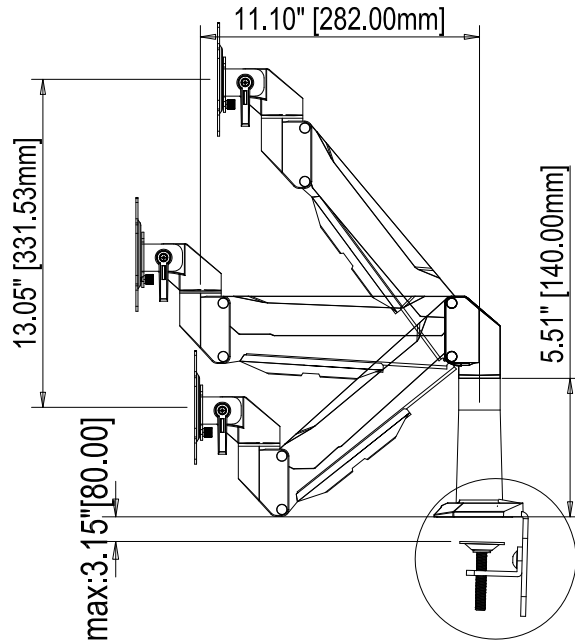
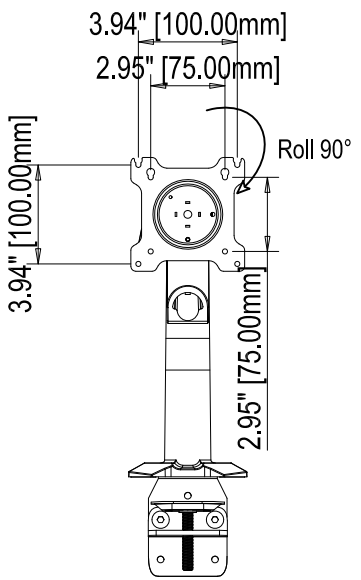
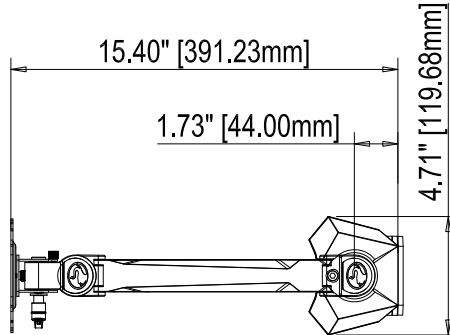
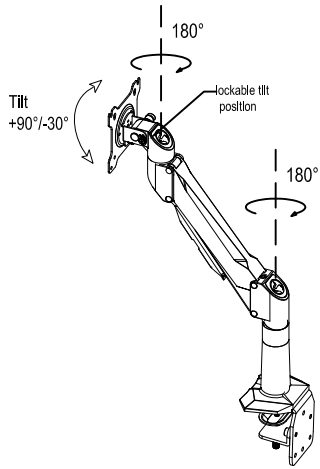
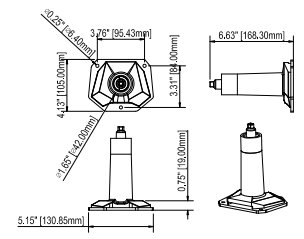


1 2 3 4 5 6 7 8

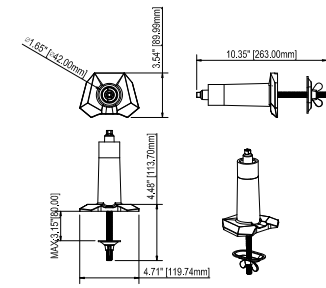
Maximum load rating: 6-30 lbs



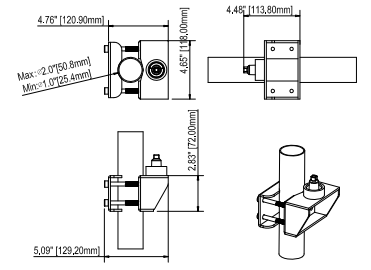
1



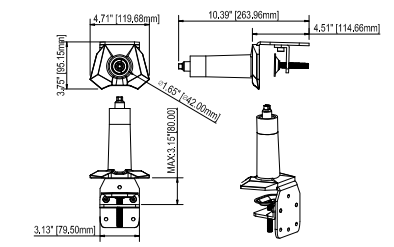
2



3



4



C

B

A

D

C

B

A

THE INFORMATION CONTAINED IN THIS DRAWING IS THE SOLE PROPERTY OF CRIMSON AV LLC. ANY REPRODUCTION IN PART OR AS A WHOLE WITHOUT THE WRITTEN PERMISSION OF CRIMSON AV LLC IS PROHIBITED



CRIMSON AV LLC.

PRODUCT ORDER NUMBER: DSA11K
PHONE: 1-866-668-6888

Scale=1:1

Crimson AV LLC. www.crimsonav.com	
TITLE:	DSA11K
SIZE: DWG.NO.	DSA11K

1 2 3 4 5 6 7 8