

S631G Adjustable Floor Stand With Glass Shelf

For Displays Up To 150 lbs

Best In Class Floor Stand Mounting Solution

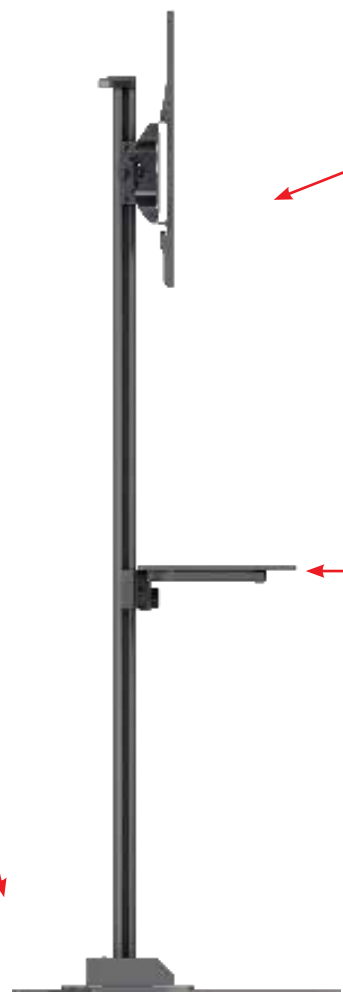
- Universal design
- VESA compatible
- Continuous vertical position adjustment for perfect viewing height
- Pin-locking incremental tilt adjustment
- Heavy-duty rubber casters for smooth mobility
- Glass component shelves easily attach after display is installed
- Integrated cable management for clean look
- Pre-sorted hardware pack for easy installation



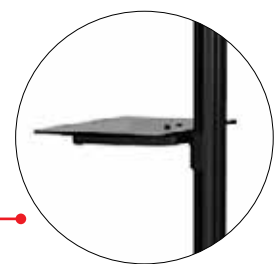
Model	TV Size	VESA	Max Height	Max Load
S631G	37" - 70"	723x501mm	65"	150lb



HEAVY DUTY STAND
Low Profile Heavy Duty Stand
Heavy duty flat base designed for high traffic areas.



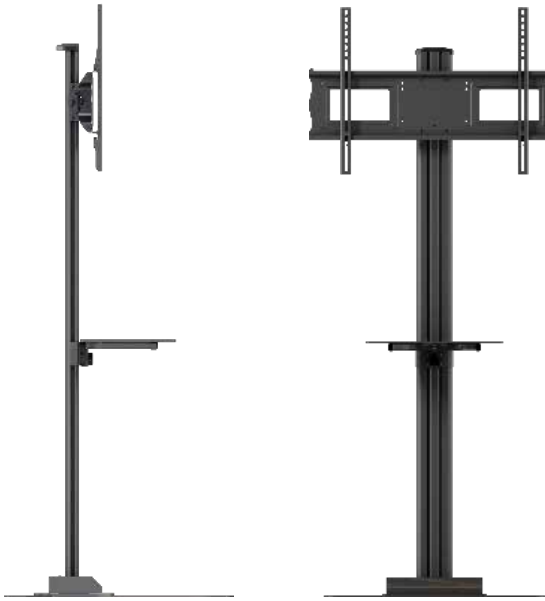
CONTINUOUS TILT
+15/-5 Degree Tilt
The mounting plate has continuous tilt of up +15/-5 degree for ideal display placement.



SHELVING ACCESSORY
Adjustable Tempered Glass Shelf
Designed with a glass attachable shelf the S631G can support up to 50lbs of additional components.

S631G Adjustable Height & Tilt Floor Stand

Universal design for 37" - 70"+ displays
Glass shelf included



Attribute	Value
Display size range	37" - 70"
Weight capacity	150lb (54kg) per display
Max mounting pattern	723 x 501mm
Orientation	landscape or portrait
Tilt	+15°/-5°
Max display height	65" (middle of display)
Construction	high-grade cold rolled steel
Product finish	scratch resistant epoxy powder coat
Color	black
Model number	S631G
Warranty	limited lifetime

Floor stand with glass shelf for 37" to 70" displays. Universal design and heavy duty construction makes this stand ideal for Plasma, LCD or LED displays weighing up to 150 lb. Flat, stationary base is perfect for high traffic areas. Vertically adjustable metal shelf can be easily installed or removed without removing display.

