

M90XL

BalanceBox Height Adjustable Display Cart

for Displays 50" - 90"

Height Adjustment with Spring-Weight Technology

- Displays easily glide up and down with up to 15.75" of height adjustment
- Supports heavy displays up to 200+ lbs
- Lockable incremental tilt adjustment up to 15°
- Heavy duty lockable casters for smooth mobility and easy transportation through standard doorways
- Comes with 2 adjustable shelving units. Shelving can mount to the front, rear, or sides of the cart



SKU	Display Size	VESA	Max Height	Max Load
M90XL	50-90"	800x500	72.56"	209 lbs

BalanceBox® Technology

One Touch Height Adjustment

Even heavy displays up to 209 lbs. will slide up and down with a light touch using the BalanceBox® spring-weight technology.



CONTINUOUS TILT

+15/-5 Degrees Tilt

Mounting plate has continuous tilt of up +15°/-5° for ideal screen placement.



HEAVY DUTY CASTERS

Smooth Movement with Little Effort

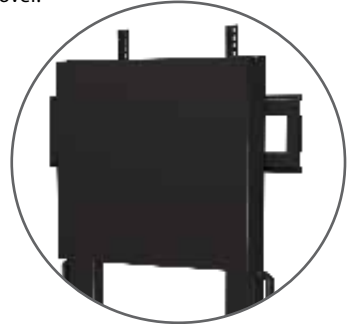
Designed for durability, the heavy duty lockable rubber casters make moving locations a simple task, and ensure that the cart stays firmly in place when locked.



BACK PANEL COVER

Easily Installed Panel Cover

Designed with tilting vertical brackets, back panel and cover.



M90XL

BalanceBox Height Adjustable Mobile Cart

For displays 50" - 90"



Attribute	Value
Display size range	50" - 90"
Weight capacity	209 lbs (94.80kg)
Max mounting pattern	800mmx500mm
Number of displays	One
Vertical adjustment	Downward vertical adjustment to 15.75"
Orientation	Landscape
Tilt	+15°/-5° with incremental tilt lock
Construction	Aluminum/high-grade cold rolled steel
Product finish	Scratch resistant epoxy powder coat
Color	Black
Model number	M90XL
Warranty	Limited lifetime

The perfect solution for interactive learning centers, collaborative work spaces, training sessions, business presentations, and board rooms. BalanceBox spring-weight technology allows even heavy displays to smoothly glide up and down the M90XL mobile cart with just a light touch. No tools are needed to keep the display precisely in place, and displays have up to 15.75" (400mm) of vertical adjustment.

