

M46P Collapsible Floor Stand

For Monitors Up To 32"-55"

Best In Class Floor Stand Mounting Solution

- VESA compatible up to 400x400mm
- Optional universal adapter U756 fits up to 723x501mm hole pattern for 37" to 63" screens
- Quickly collapses for easy breakdown and reassembly
- Through-column cable routing for an uncluttered look
- Casters for smooth mobility
- Pre-sorted hardware pack for easy installation



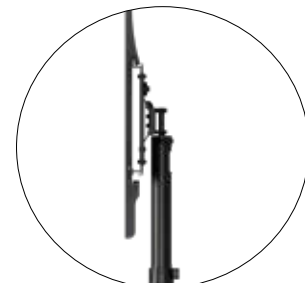
Model	TV Size	Max VESA	Max Height	Max Load
M46P	32" - 55"	723x501mm	64.5"	100lb



OPTIONAL HEAVY DUTY CASTER SET

Smooth Mobility On All Surfaces

Heavy duty caster set is designed to provide smooth mobility and convenience.



THROUGH-COLUMN CABLE ROUTING

Clean Uncluttered Look

The S46P was designed with through-column multi-cable routing to give a professional uncluttered look.



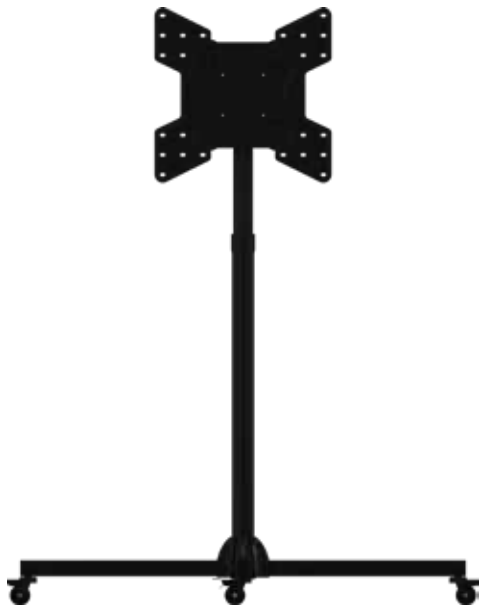
EASY BREAK DOWN

Quickly Collapses

With Crimson's collapsible design, the S46P is easy to break down and reassemble.

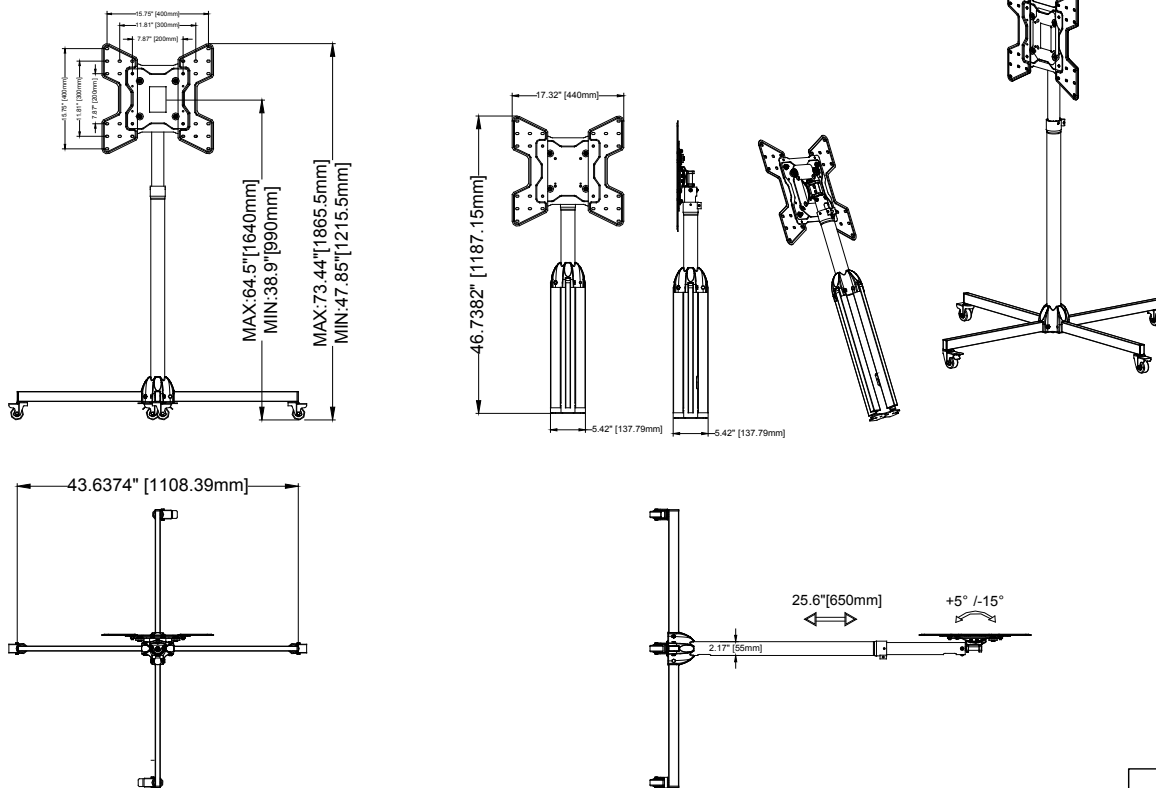
M46P Collapsible Floor Stand

Universal design for 32" - 55" displays



Attribute	Value
TV size range	32" - 55"
Weight capacity	100 lbs (45kg)
Max mounting pattern	400x400mm; optional universal 723 x 501mm
Orientation	landscape or portrait
TV height adjustment	438.9" to 64.5"
Construction	high-grade cold rolled steel
Product weight	37lbs (17.6 kg)
Product finish	scratch resistant epoxy powder coat
Color	black
Model number	M46P
Warranty	10 years

Quick collapsing stand with fully adjustable screen height positioning from 37.2" to 62.8". Fits all VESA hole patterns through 400x400mm in either landscape or portrait screen orientation. Ideal for ultra-flat LED TV monitors as well as Plasma and LCD's weighing up to 100 lb. Utilize as a stand or add the optional casters for smooth mobility. Unobstructed internal cord routing with 1" x 2" outlet opening fits standard VGA connectors.



Crimson AV LLC.