

A47V Full Motion Articulating Wall Mount

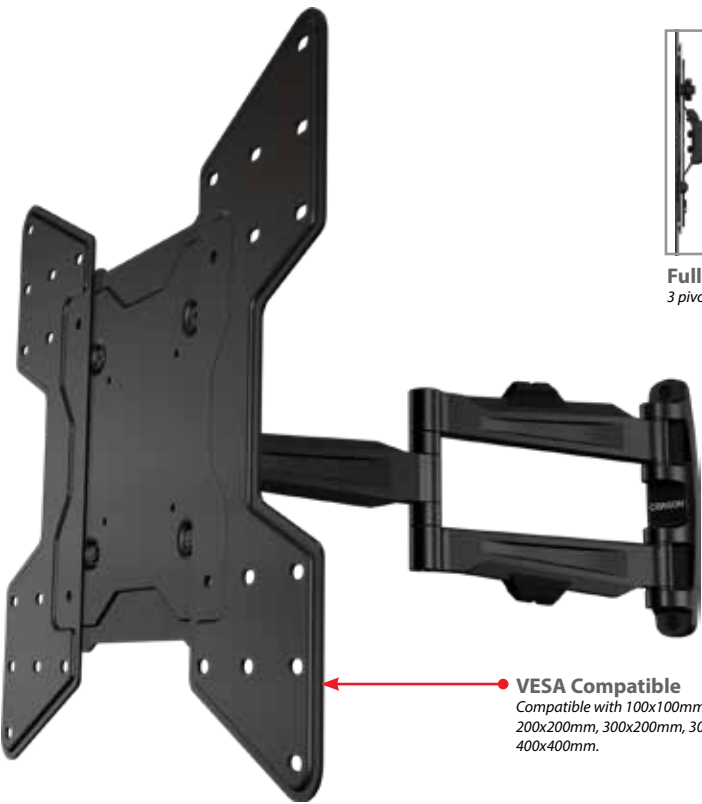
For 13-55" Displays

Best In Class Articulating Wall Mount Solution

- VESA compatible 100x100mm, 200x100mm, 200x200mm, 300x200mm, 300x300mm, 400x300mm, 400x400mm
- Multiple attachment points for different mounting surfaces offers additional safety
- Smooth variable tilt from 15° forward to 5° back
- Integrated cable management for clean look



Model	Display Size	Max VESA	Total Load
A47V	13" - 55"	400x400mm	80lb



Full Range of Motion
3 pivot joints for variable viewing angles.

Tilt
Pre-tensioned tilt mechanism allows 15° forward and 15° backward tilt for optimal viewing angles.

VESA Compatible
Compatible with 100x100mm, 200x100mm, 200x200mm, 300x200mm, 300x300mm and 400x400mm.

Multiple Attachments
Three attachment points in center for added safety.

A47V Full Motion Articulating Wall Mount

For 13-55" displays

1-866-MOUNT-TV
www.crimsonav.com



Attribute	Value
Display size	13" - 55"
Weight capacity	80lb (36kg)
Max mounting pattern	400x400mm
Pivot	180°
Tilt	+15°/-15°
Depth from wall	2.7" (68.6mm)
Max extension	21" (533mm)
Construction	Aluminum/high-grade cold rolled steel
Product weight	13lb (5.9kg)
Product finish	Scratch resistant epoxy powder coat
Color	Black
Model number	A47V
Warranty	Limited lifetime

Articulating mount for 13" to 55" display. Multiple joint arm holds display 2.7" from wall when retracted and 21" when fully extended. Smooth tilt adjustments of +15° (forward) and -5° (back) with a locking knob and 3° side-to-side roll facilitates a variety of viewing angles and perfect positioning. Three attachment points for wood studs and four attachment points for concrete walls provide additional security. Integrated cable management for clean look.

