

A30F Full Motion Articulating Wall Mount

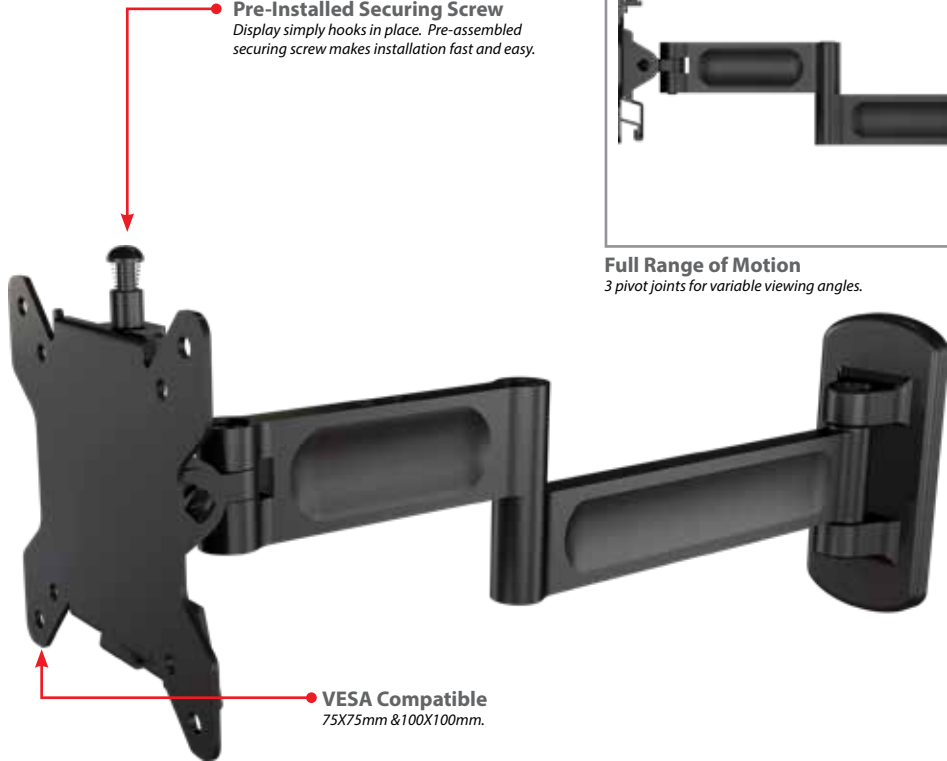
For 10-30" Displays

Best In Class Articulating Wall Mount Solution

- VESA compatible 75x75mm, 100x100mm
- Pre-tensioned tilt mechanism for smooth tilt adjustment
- Pre-assembled securing screw makes installation fast and easy
- Integrated cable management for clean look



Model	Display Size	Max VESA	Total Load
A30F	10" - 30"	100 x100mm	30lb



Pre-Installed Securing Screw
Display simply hooks in place. Pre-assembled securing screw makes installation fast and easy.

Full Range of Motion
3 pivot joints for variable viewing angles.

Tilt
Pre-tensioned tilt mechanism allows 15° forward and 15° backward tilt for optimal viewing angles.

Cord Management
Integrated cord management for clutter-free installation.

VESA Compatible
75X75mm & 100X100mm.

A30F Full Motion Articulating Wall Mount

For 10-30" displays

1-866-MOUNT-TV
www.crimsonav.com



Articulating mount for 10" to 30" displays. Multiple joint arm holds screen 2" from wall when retracted and 14.6" when fully extended. Smooth tilt adjustments of +15° (forward) and -15° (back) facilitates a variety of viewing angles. Makes a secure installation quick and easy, simply hang the display and turn the pre-assembled securing screw to lock in place. Integrated cable management for clean look.

Attribute	Value
Display size	10" - 30"
Weight capacity	30lb (14kg)
Max mounting pattern	100x100mm
Pivot	180°
Tilt	+15°/-15°
Depth from wall	2.0" (50.8mm)
Max extension	14.6" (370mm)
Construction	Aluminum/high-grade cold rolled steel
Product weight	2.2lb (1kg)
Product finish	Scratch resistant epoxy powder coat
Color	Black
Model number	A30F
Warranty	Limited lifetime

