



**SUPER-SIZE YOUR DISPLAY
AND SAVE BIG.**



UNDER TABLE PROJECTOR SOLUTION
PROJECT A 100" DIAGONAL IMAGE FROM ONLY 4' AWAY



Canon

CANON **UNDER TABLE PROJECTOR SOLUTION**: THE BRILLIANT ALTERNATIVE TO FLAT PANEL DISPLAYS.

COST EFFECTIVE LARGE IMAGING



Significant Vertical Lens Shift:
0-75% (WUX400ST), 0-77% (WX450ST)

Ideal for a variety of meeting/learning environments in business, education, government and other professional markets, Canon's easy-to-install **Under Table Projector Solution (UTPS)** allows users to super-size their displays up to an incredible 200" (Diagonal), while enjoying the incredibly-detailed, color-rich images that have become a trademark of Canon's REALiS LCOS Projectors.

When compared to a 100" Flat Panel Display, the Canon **Under Table Projector Solution** costs less and provides ultra-simple installation by eliminating the need to install a commercial wall mount, and to run long cables through ceilings, floors or walls. This simple solution is made possible by the short throw ratio and significant vertical lens shift on Canon's REALiS Compact Short Throw Projectors (WUX400ST or WX450ST) and the JRWX450 Under Table Mount from Crimson AV.

CANON'S UNIQUE **UNDER TABLE PROJECTOR SOLUTION** LETS USERS ENJOY IMPRESSIVE 100" (DIAGONAL) AND LARGER IMAGES AT LOWER COSTS THAN SIMILARLY-SIZED FLAT PANEL DISPLAYS.

EASY TO INSTALL SOLUTION



The JRWX450 Under Table Mount was specifically engineered for Canon's WUX400ST and WX450ST Short Throw Projectors. The easy-to-install mount uses only four screws to fasten it under a table, while the projector slides in place. Canon's **Under Table Projector Solution** remains out-of-sight, and does not take up any needed desk space.

REALiS WUX400ST



- ▶ WUXGA (1920 x 1200)
- ▶ 4000 Lumens
- ▶ 0.56:1 Short Throw Ratio
- ▶ Lens Shift:
0-75% (Vertical) / ±10% (Horizontal)

REALiS WX450ST



- ▶ WXGA+ (1440 x 900)
- ▶ 4500 Lumens
- ▶ 0.57:1 Short Throw Ratio
- ▶ Lens Shift:
0-77% (Vertical) / ±10% (Horizontal)

Canon has engineered the REALiS WUX400ST and WX450ST LCOS Projectors with a short throw lens and unique vertical lens shift that can project a dramatic 100" plus (diagonal) image only 4-feet away. Fitted into the dedicated under table mount, Canon's **Under Table Projector Solution** is the brilliant alternative to expensive, bulky, and costly-to-install large Flat Panels.



Lens Shift



Short Throw Ratio



Advanced Canon Optics

To learn more about Canon's REALiS Short Throw Projectors, visit pro.usa.canon.com/shortthrow

FOR MORE INFO AND TO SEE A VIDEO ABOUT INSTALLING THIS SIMPLE SOLUTION, VISIT:

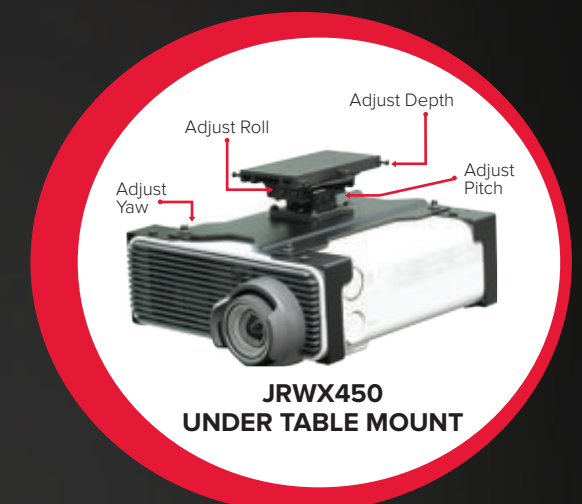
PRO.USA.CANON.COM/UTPS

IDEAL FOR BUSINESS,
EDUCATION,
GOVERNMENT,
AND MANY OTHER
PROFESSIONAL MARKETS.

- ▶ Projects a 100" image from only 4-feet away.
- ▶ Costs less than many Flat Panel Displays 100" Diagonal and above.
- ▶ Weighs significantly less than typical 100" Diagonal Flat Panel Displays.
- ▶ Doesn't take up desk, ceiling, or wall space; and does not require heavy-duty bracket.
- ▶ Helps to eliminate long cable runs through ceilings, floors or walls.
- ▶ Advanced color calibration further enhances image quality.
- ▶ Maintains focus on curved projection screens.

Combining **CANON'S REALiS SHORT THROW PROJECTORS** with a dedicated Under Table Mount offers a range of benefits and advantages.

THE JRWX450 UNDER TABLE MOUNT also provides micro adjustments for roll, pitch and yaw, while the elegant design facilitates the use of USB thumb drives and other onboard features, providing even greater user flexibility. The JRWX450 comes with all of the necessary hardware to install this solution underneath tables, desks, and other furniture pieces.*



JRWX450
UNDER TABLE MOUNT

*Please note that a minimum space of 1.6' (50 cm) is required on the top, sides, and rear of the projector cabinet for proper air circulation and cooling of the unit. Please see Safety Precautions in Projector User's Manual for complete information.

SPECIFICATIONS

REALIS WUX400ST / WUX400ST D*

	PRODUCT NAME	WUX400ST	WUX400ST D
	ITEM CODE	8678B002	8678B010
	BRIGHTNESS	4000 Lumens	
BASIC	NATIVE RESOLUTION	1920 x 1200 (WUXGA)	
	CONTRAST RATIO**	1000:1 / 2000:1	
	LAMP POWER	260 W	
POWER	POWER CONSUMPTION	365 W	
	STANDBY POWER (LAN-ON)	0.6 W	
	STANDBY POWER (LAN-OFF)	0.2 W	
	W/lm	0.091 W/lm	
PROJECTION LENS	ZOOM (ELECTRONIC)	1.35x	
	FOCUS	Manual	
	LENS SHIFT VERTICAL	0-75% Manual	
	LENS SHIFT HORIZONTAL	±10% Manual	
	100° PROJECTION DISTANCE	3.94 ft (1.20 m)	
	THROW RATIO	0.557:1	
	F No.	2.7	
MECHANICAL	EXTERNAL DIMENSIONS	13.27 x 16.34 x 5.28 in (337 x 415 x 134mm) (including protrusions)	
	WEIGHT	13.67 lbs (6.2kg)	
	NOISE	38dB (Normal) / 32dB (Quiet)	
	VERTICAL STACKING	Yes	
	GUARANTEED OPERATING TEMPERATURES	32°-104° F (0-40° C)	
ELECTRONIC	KEYSTONE V	±12°	
	KEYSTONE H	±12°	
	PICTURE BY PICTURE	Yes	
	DIRECT POWER OFF	Yes	
COMMUNICATIONS	LAN (RJ-45)	1000baseT	
	RS-232C	Yes	
AUDIO	BUILT-IN SPEAKER	5 W	
	(INPUT) STEREO MINI JACK	2	
	(OUTPUT) STEREO MINI JACK	1	
	WIRED CONNECTORS	1	

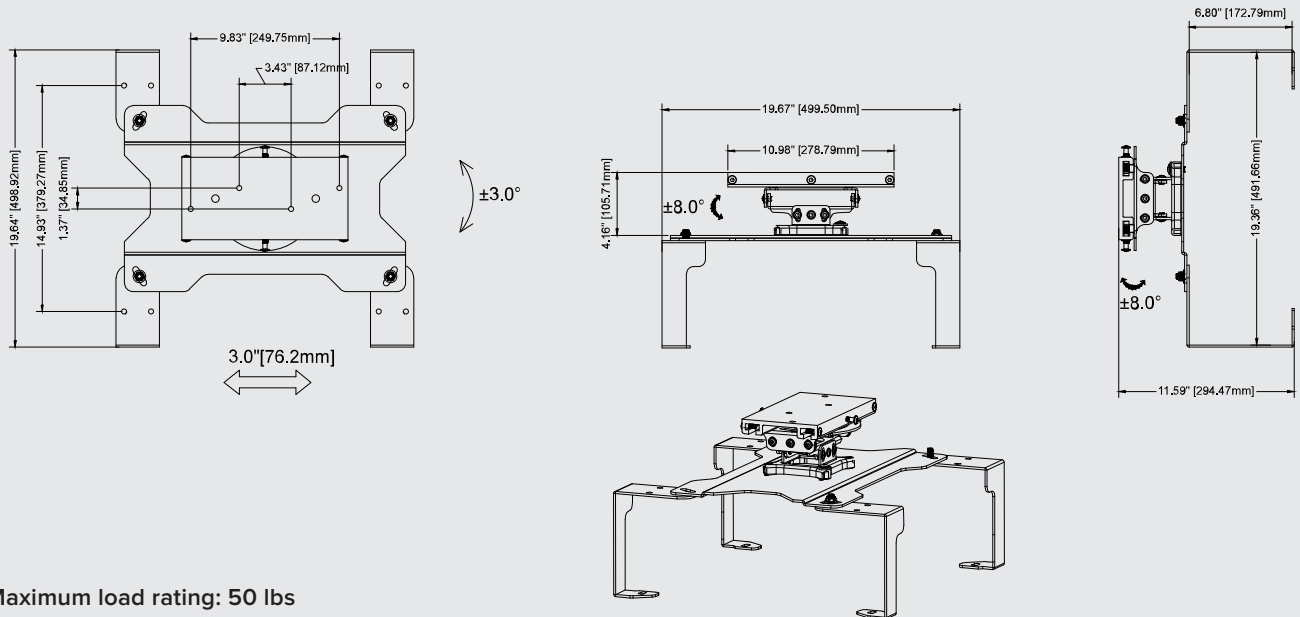
REALIS WX450ST / WX450ST D*

	PRODUCT NAME	WUX400ST	WUX400ST D
	ITEM CODE	8678B002	8678B010
	BRIGHTNESS	4500 Lumens	
BASIC	NATIVE RESOLUTION	1440 x 900 (WUXGA)	
	CONTRAST RATIO**	1000:1 / 2000:1	
	LAMP POWER	260 W	
POWER	POWER CONSUMPTION	355 W	
	STANDBY POWER (LAN-ON)	0.6 W	
	STANDBY POWER (LAN-OFF)	0.2 W	
	W/lm	0.079 W/lm	
PROJECTION LENS	ZOOM (ELECTRONIC)	1.35x	
	FOCUS	Manual	
	LENS SHIFT VERTICAL	0-77% Manual	
	LENS SHIFT HORIZONTAL	±10% Manual	
	100° PROJECTION DISTANCE	4.04 ft (1.23 m)	
	THROW RATIO	0.571:1	
	F No.	2.7	
MECHANICAL	EXTERNAL DIMENSIONS	13.27 x 16.34 x 5.28 in (337 x 415 x 134mm) (including protrusions)	
	WEIGHT	13.67 lbs (6.2kg)	
	NOISE	38dB (Normal) / 32dB (Quiet)	
	VERTICAL STACKING	Yes	
	GUARANTEED OPERATING TEMPERATURES	32°-104° F (0-40° C)	
ELECTRONIC	KEYSTONE V	±12°	
	KEYSTONE H	±12°	
	PICTURE BY PICTURE	Yes	
	DIRECT POWER OFF	Yes	
COMMUNICATIONS	LAN (RJ-45)	1000baseT	
	RS-232C	Yes	
AUDIO	BUILT-IN SPEAKER	5 W	
	(INPUT) STEREO MINI JACK	2	
	(OUTPUT) STEREO MINI JACK	1	
	WIRED CONNECTORS	1	

*The REALIS WUX400ST D and REALIS WX450ST D projectors include a DICOM Simulation Mode. These models are not cleared or approved for medical diagnosis and should not be used for these purposes.

**Native contrast ratio is 1000:1. Contrast ratio is 2000:1 with Iris "On" – this setting may reduce brightness.

JRWX450 UNDER THE TABLE MOUNT



To learn more about Canon's Under Table Projector Solution, visit:

pro.usa.canon.com/UTPS

REALIS

Canon