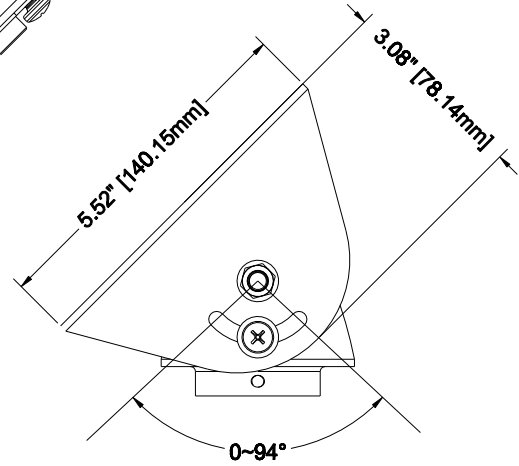
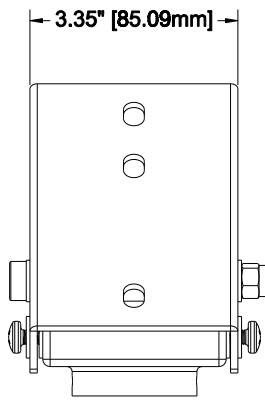
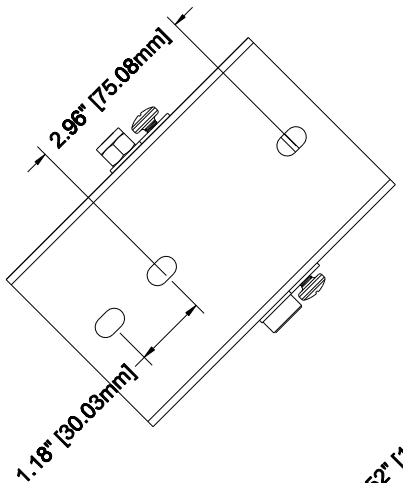
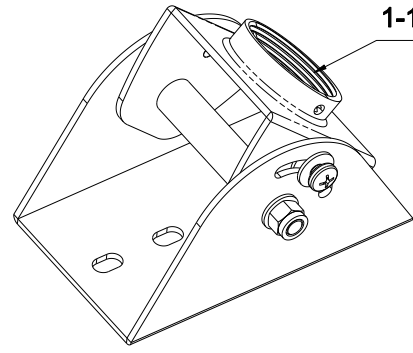
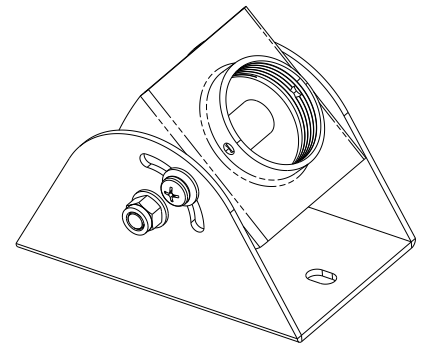


1 2 3 4 5 6 7 8

Maximum load rating: 300 lbs

1-1/2-11.5 NPT



D

D

C

C

B

B

A

A

THE INFORMATION CONTAINED IN THIS DRAWING IS THE SOLE PROPERTY OF CRIMSON AV LLC. ANY REPRODUCTION IN PART OR AS A WHOLE WITHOUT THE WRITTEN PERMISSION OF CRIMSON AV LLC IS PROHIBITED

CRIMSON AV LLC.

PRODUCT ORDER NUMBER: CAV1
PHONE: 1-866-668-6888

Scale=1:1

Crimson AV LLC. www.crimsonav.com	
TITLE: CAV1	
SIZE B	DWG.NO. CAV1

1 2 3 4 5 6 7 8