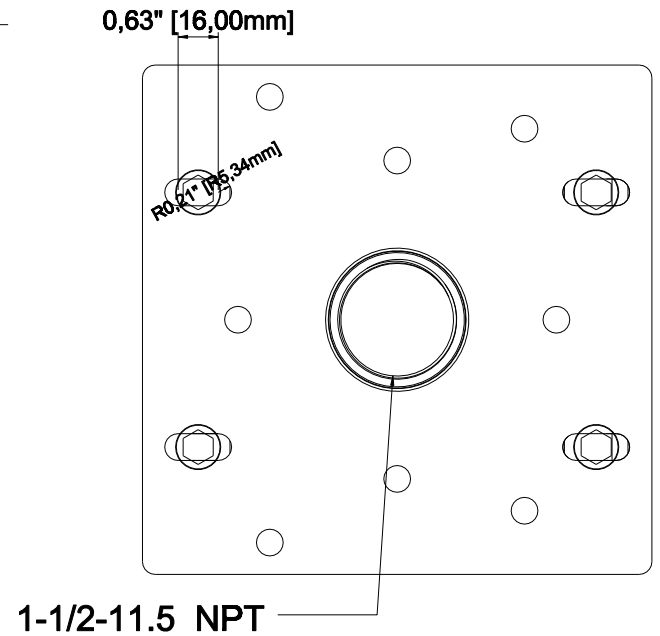
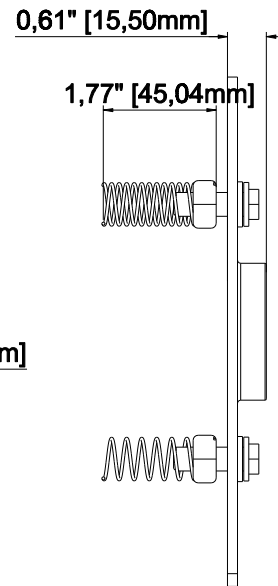
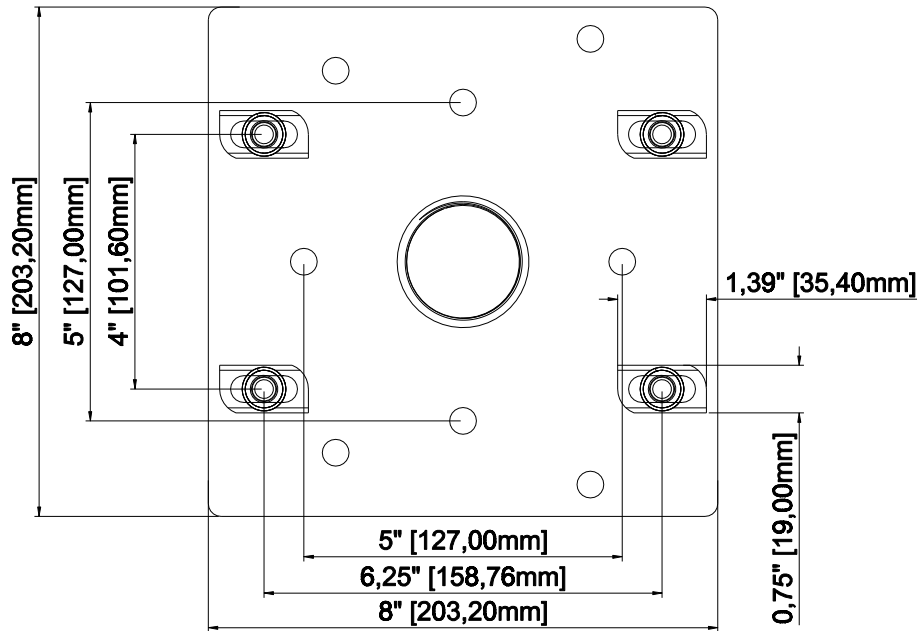
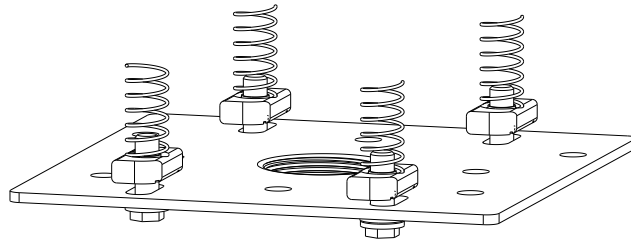


Maximum load rating: 300 lbs



THE INFORMATION CONTAINED IN THIS DRAWING IS THE SOLE PROPERTY OF CRIMSON AV LLC. ANY REPRODUCTION IN PART OR AS A WHOLE WITHOUT THE WRITTEN PERMISSION OF CRIMSON AV LLC IS PROHIBITED

CRIMSON AV LLC.

PRODUCT ORDER NUMBER: CAU8
PHONE: 1-866-668-6888

Crimson AV LLC.
www.crimsonav.com

TITLE: **CAU8**

SIZE: **B** DWG.NO. **CAU8**

Scale: 1:1