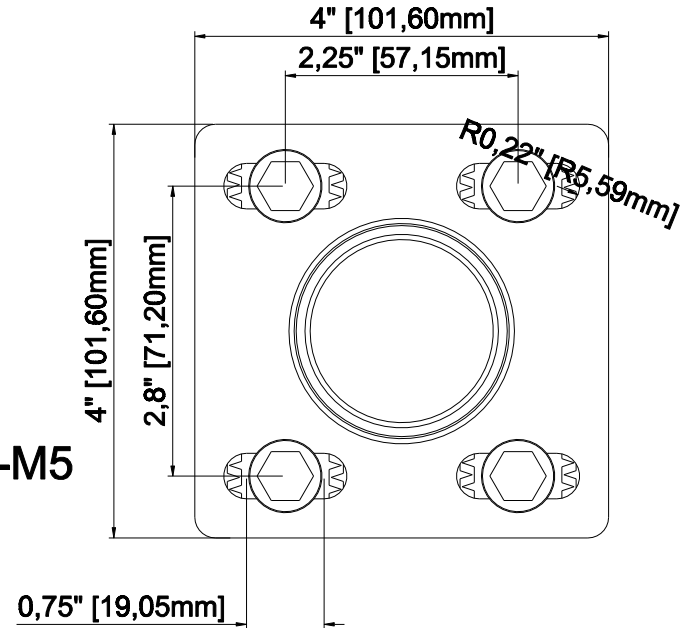
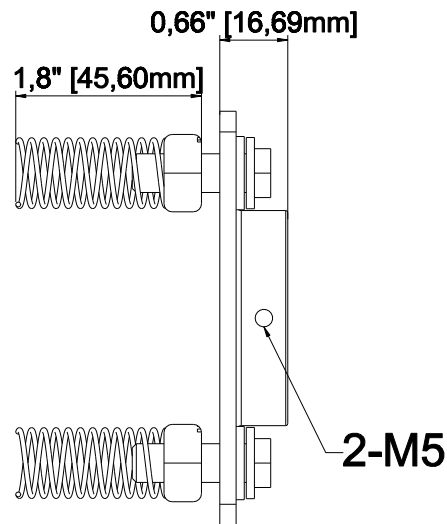
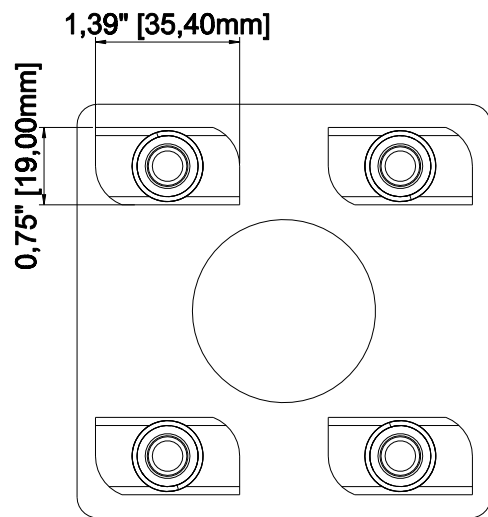
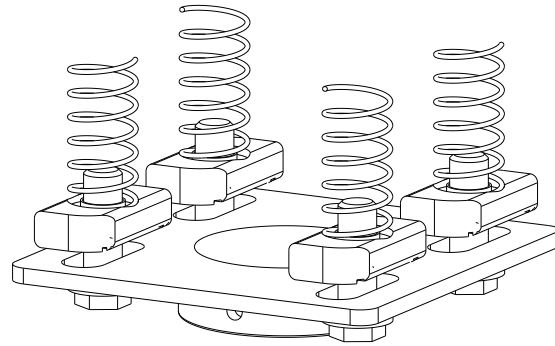


Maximum load rating: 300 lbs



THE INFORMATION CONTAINED IN THIS DRAWING IS THE SOLE PROPERTY OF CRIMSON AV LLC. ANY REPRODUCTION IN PART OR AS A WHOLE WITHOUT THE WRITTEN PERMISSION OF CRIMSON AV LLC IS PROHIBITED

CRIMSON AV LLC.

PRODUCT ORDER NUMBER: CAU4  
PHONE: 1-866-668-6888

Scale: 1:1

Crimson AV LLC.  
www.crimsonav.com

TITLE: CAU4

SIZE B DWG.NO. CAU4