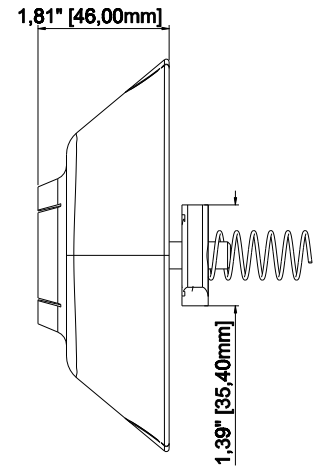
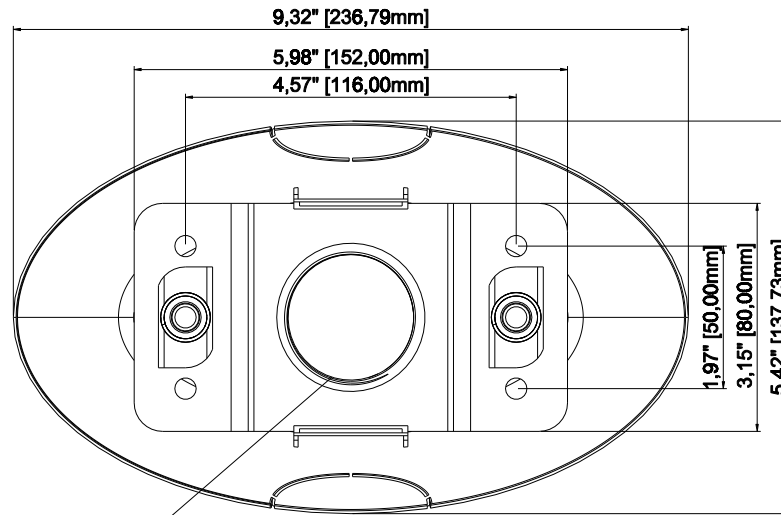
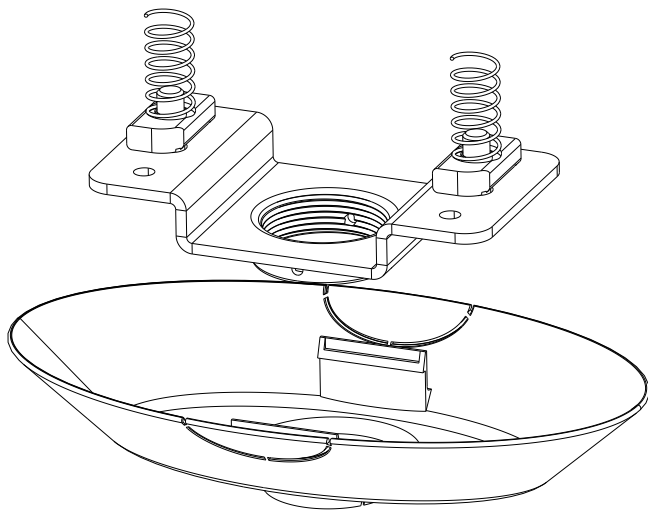
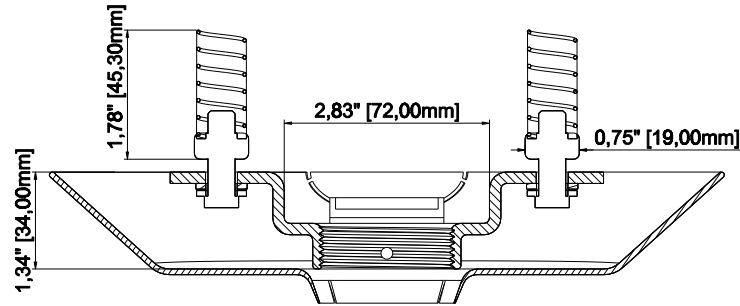
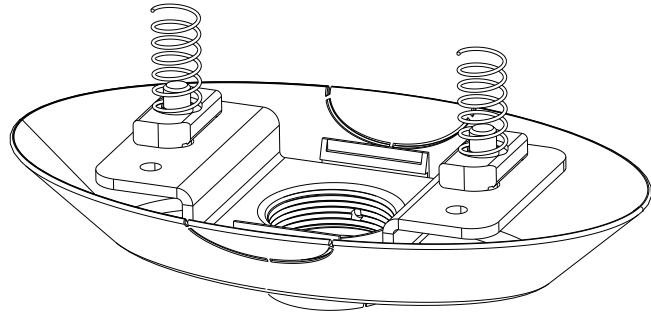


**Maximum load rating: 250 lbs**



1-1/2-11.5NPS

THE INFORMATION CONTAINED IN THIS DRAWING IS THE SOLE PROPERTY OF CRIMSON AV LLC. ANY REPRODUCTION IN PART OR AS A WHOLE WITHOUT THE WRITTEN PERMISSION OF CRIMSON AV LLC IS PROHIBITED

**CRIMSON AV LLC.**

**PRODUCT ORDER NUMBER: CAU1**

**PHONE: 1-866-668-6888**

**Crimson AV LLC.**  
[www.crimsonav.com](http://www.crimsonav.com)

TITLE: **CAU1**

SIZE: **B** DWG.NO. **CAU1**

**Scale: 1:1**