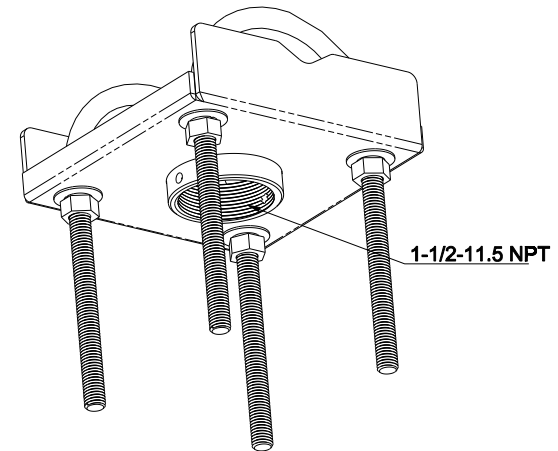
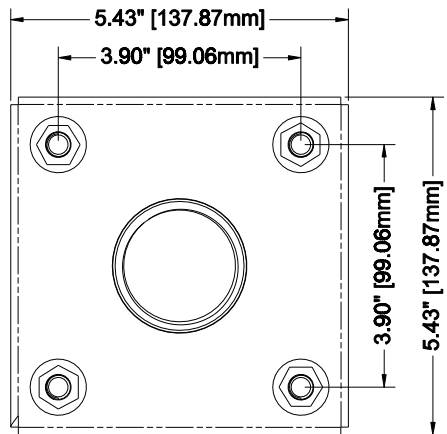
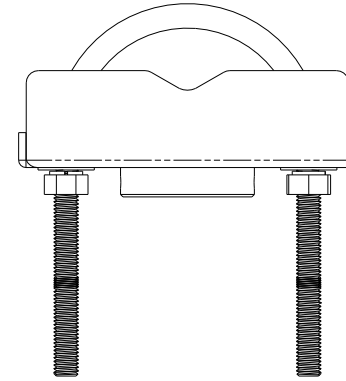
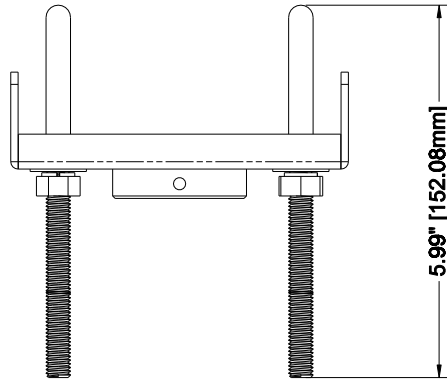


Maximum load rating: 400 lbs



THE INFORMATION CONTAINED IN THIS DRAWING IS THE SOLE PROPERTY OF CRIMSON AV LLC. ANY REPRODUCTION IN PART OR AS A WHOLE WITHOUT THE WRITTEN PERMISSION OF CRIMSON AV LLC IS PROHIBITED

**CRIMSON AV LLC.**

**PRODUCT ORDER NUMBER: CAT3**  
**PHONE: 1-866-668-6888**

Scale=1:1

Crimson AV LLC. www.crimsonav.com	
TITLE:	<b>CAT3</b>
SIZE B	DWG.NO. <b>CAT3</b>